

MIG/MAG- Welding torches ABIMIG® 150 ABIMIG® 150 T air cooled



ABICOR BINZEL.
The right welding
torch for every
job!

Welding torches of the ABIMIG® series feature either fixed or adjustable and changeable neck options. Different handle variants and trigger lengths are also available.

These properties allow flexible adjustment of the torch to different welding

positions and individual preferences.

Welding torches of range ABIMIG®150, due to their functionality, are ideal for the welding of thin gauge metal.

Technical data (EN 60 974-7):

Rating:	160 A CO ₂ 140 A Mixed Gases M 21 (DIN EN 439) 60% Duty Cycle
Wire sizes:	0.6 - 1.0

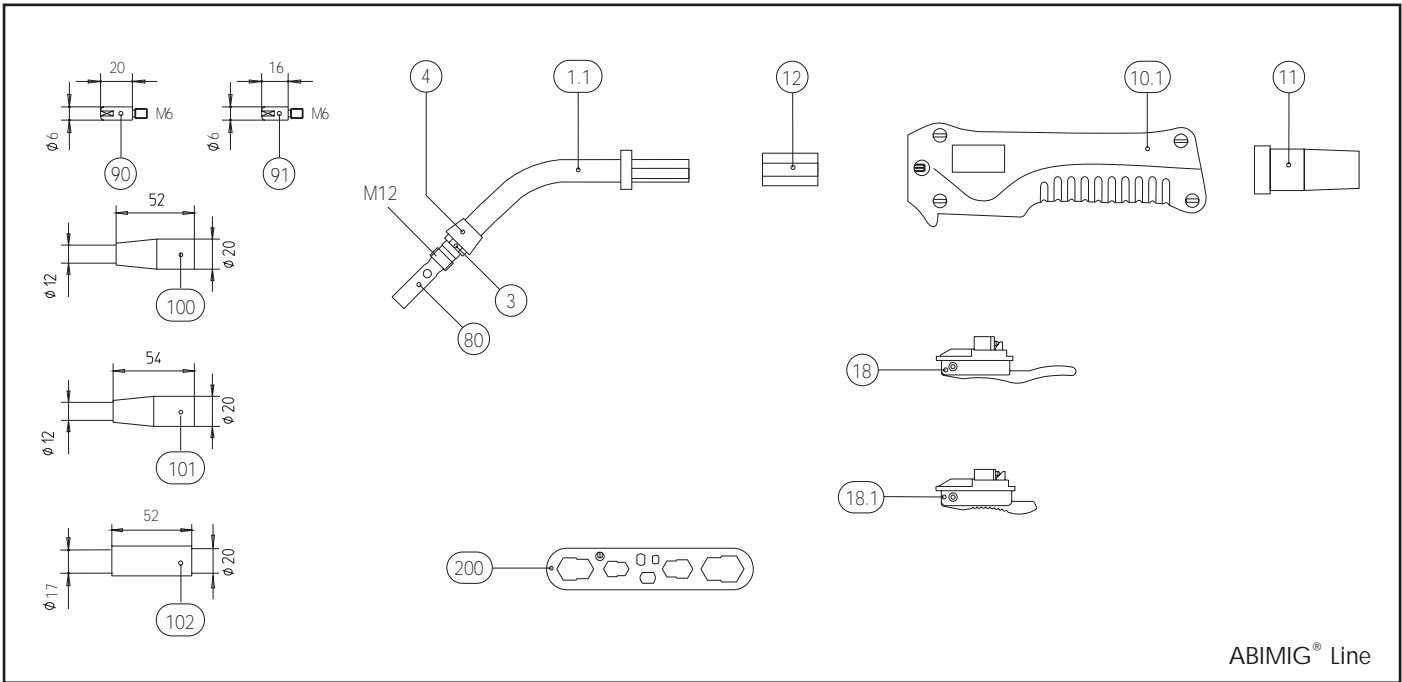
Rated using power source with VDE standard volt/amp characteristic ($U=14+0.05xI$).
When pulse welding, reduce rating by 35%.

Type	Version	3.00 m long	4.00 m long	5.00 m long
		Part no.	Part no.	Part no.
ABIMIG® 150 L	Swan neck 50° bent, fixed, handle L	767.D001	767.D002	767.D003
ABIMIG® 150 T L*	Swan neck 45° bent, rotating, handle L	006.D361	006.D362	006.D363
ABIMIG® MT 150 0°	Machine torch neck, straight, fixed, handle tube	767.D010	767.D011	767.D012
ABIMIG® MT 150 45°	Machine torch neck 45° bent, fixed, handle tube	767.D013	767.D014	767.D015

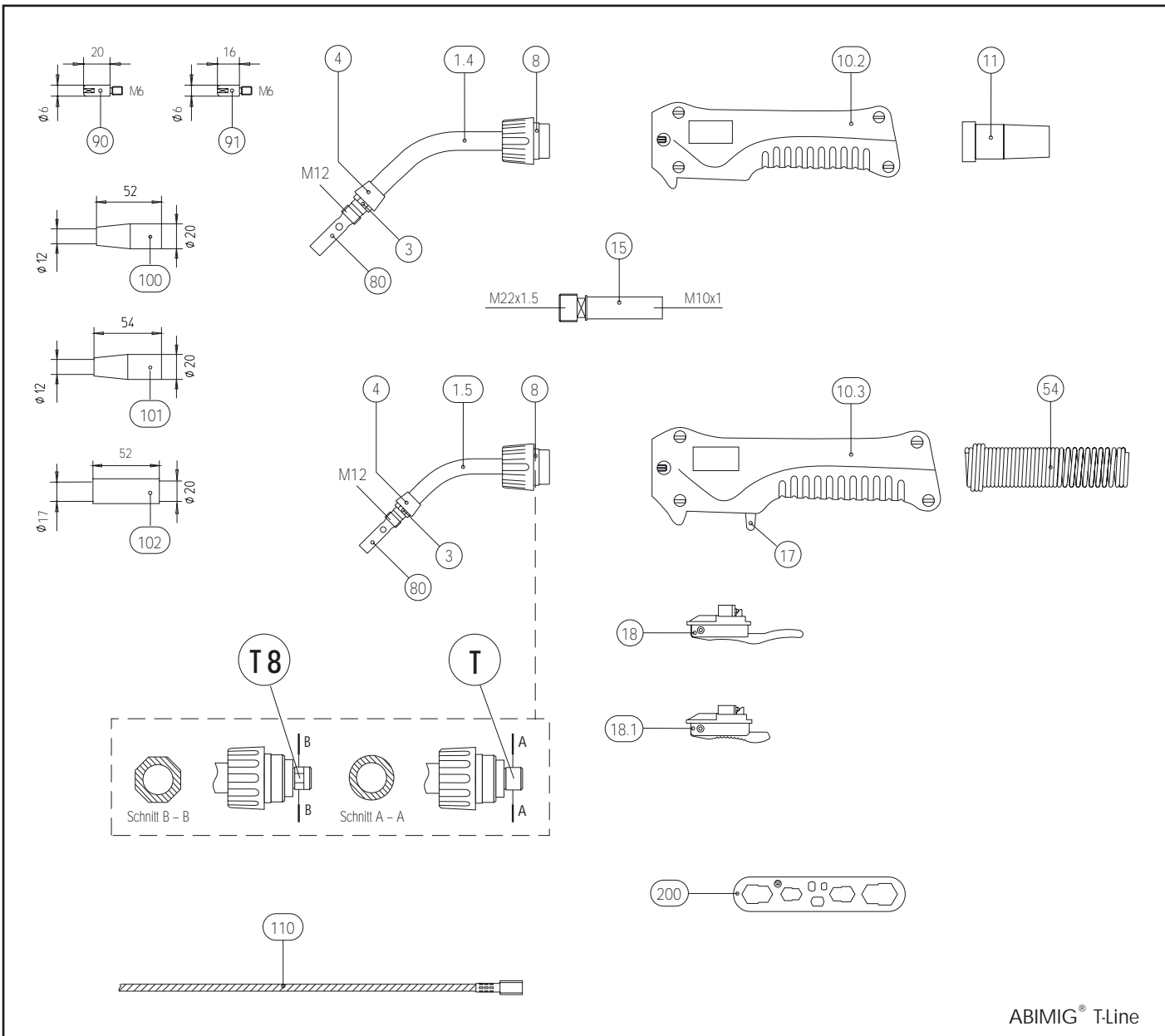
*Attention! Due to the manifold possible variations of ABIMIG® T in this table is shown only a preference torch. Different options are available according to the part list of this leaflet. Please state in your order verbally.

Welding & cutting brought to the point.

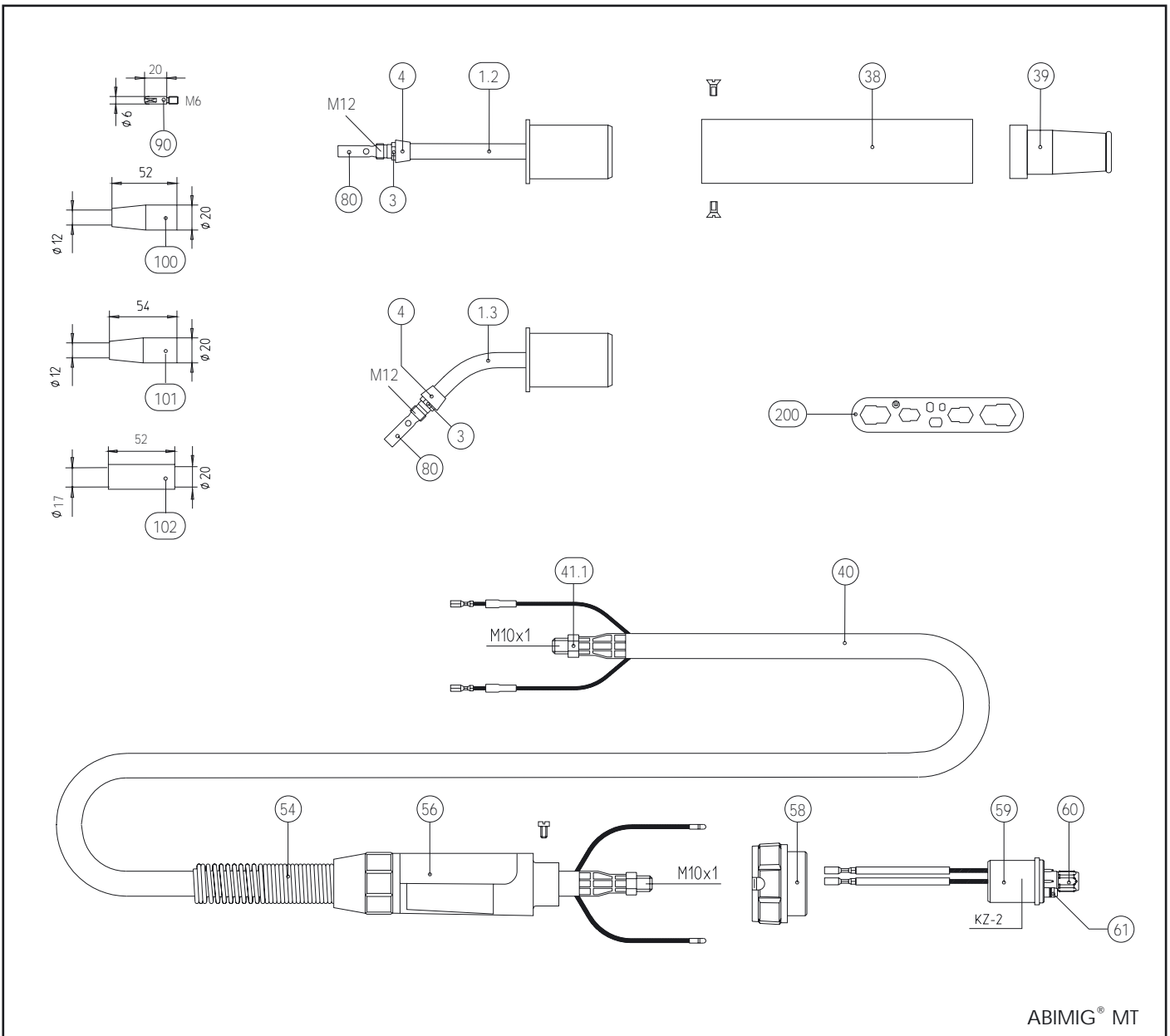
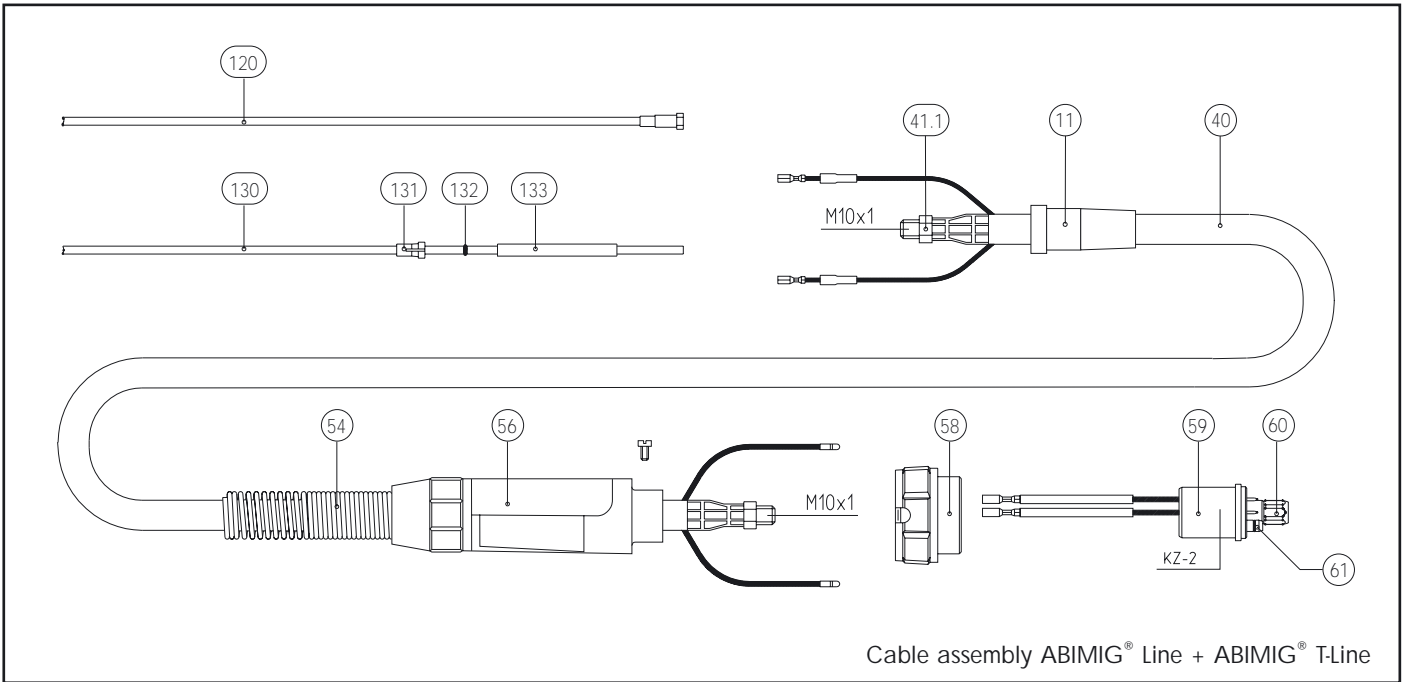




ABIMIG® Line



ABIMIG® T-Line



Build group	Pos.	Description	Specifications	Part no.		
Torch	1.1	Swan neck ABIMIG® 150	for contact tip BINZEL M6 Pos. 90	767.D004 •		
		Swan neck ABIMIG® 150	for contact tip HAUFÉ M6 Pos. 91	767.D008		
	1.2	Swan neck ABIMIG® MT 150 0°	for contact tip BINZEL M6 Pos. 90	767.D016 •		
	1.3	Swan neck ABIMIG® MT 150 45°	for contact tip BINZEL M6 Pos. 90	767.D017 •		
	1.4		Swan neck ABIMIG® 150 T 45°	for contact tip BINZEL M6 Pos. 90	006.D291	
			Swan neck ABIMIG® 150 T8 45°	for contact tip BINZEL M6 Pos. 90	006.D626	
			Swan neck ABIMIG® 150 TM 45°	for contact tip BINZEL M6 Pos. 90	006.D296	
			Swan neck ABIMIG® 150 T8M 45°	for contact tip BINZEL M6 Pos. 90	006.D630	
			Swan neck ABIMIG® 150 T 45°	for contact tip HAUFÉ M6 Pos. 91	006.D623	
			Swan neck ABIMIG® 150 T8 45°	for contact tip HAUFÉ M6 Pos. 91	006.D649	
			Swan neck ABIMIG® 150 TM 45°	for contact tip HAUFÉ M6 Pos. 91	006.D648	
			Swan neck ABIMIG® 150 T8M 45°	for contact tip HAUFÉ M6 Pos. 91	006.D650	
		1.5		Swan neck ABIMIG® 150 T K45°	for contact tip BINZEL M6 Pos. 90	006.D632
				Swan neck ABIMIG® 150 T8 K45°	for contact tip BINZEL M6 Pos. 90	006.D641
			Swan neck ABIMIG® 150 TM K45°	for contact tip BINZEL M6 Pos. 90	006.D637	
			Swan neck ABIMIG® 150 T8M K45°	for contact tip BINZEL M6 Pos. 90	006.D645	
			Swan neck ABIMIG® 150 T K45°	for contact tip HAUFÉ M6 Pos. 91	006.D651	
			Swan neck ABIMIG® 150 T8 K45°	for contact tip HAUFÉ M6 Pos. 91	006.D653	
			Swan neck ABIMIG® 150 TM K45°	for contact tip HAUFÉ M6 Pos. 91	006.D652	
			Swan neck ABIMIG® 150 T8M K45°	for contact tip HAUFÉ M6 Pos. 91	006.D654	
	3	Counter nut M8x1 LH	10 pcs	006.D705		
	4	Spacer for metal jacket	10 pcs	006.D656		
		Spacer	10 pcs	006.D189		
8	Cap nut M22 x1.5		004.D618			
Handle	10.1	Handle L, cpl. for ABIMIG® Line		180.D055 •		
	10.2	Handle L, cpl. for ABIMIG® T-Line		180.D054 •		
	10.3	Handle S, cpl. for ABIMIG® T-Line		180.D026		
	11	Cable support for handle L		400.D267		
	12	Intermediate piece		400.0044		
	15	Swan neck mounting M22x1.5 with octagon junction		004.D299		
	17	Switch guard		400.D252		
	18	Trigger, long		185.D037 •		
	18.1	Trigger, short		185.D024		
	38	Handle tube AUT		180.D040 •		
	39	Cable support for BIKOX® B4		400.0100		
Cable assembly	40	BIKOX® cable assembly B3	for 3.00 m	160.D062		
		BIKOX® cable assembly B3	for 4.00 m	160.D063		
		BIKOX® cable assembly B3	for 5.00 m	160.D064		
	41.1	Hexagonal nut M10x1		001.0009		
	54	Cable support spring dia. 21		400.D205		
	56	Cable support, machine side		500.D035		
	58	Connecting nut		500.0213		
	59	Central adaptor plug KZ-2		501.0003		
	60	Nut M10x1	10 pcs	501.0082		
	61	O-ring 4x1	20 pcs	165.0002		

Build group	Pos.	Description	Specifications	Part no.
Wear parts	80	Tip holder M12/M6/30 LH for contact tip BINZEL Pos. 90	10 pcs	006.D295
		Tip holder M12/M6/33 LH for contact tip HAUFE Pos. 91	10 pcs	006.D706
	90	Contact tip M6, E-Cu Ø 0.6	10 pcs	140.0008
		Contact tip M6, E-Cu Ø 0.8	10 pcs	140.0059 •
		Contact tip M6, E-Cu Ø 1.0	10 pcs	140.0253
		Contact tip M6, CuCrZr Ø 0.6	10 pcs	140.0855
		Contact tip M6, CuCrZr Ø 0.8	10 pcs	140.0062
		Contact tip M6, CuCrZr Ø 1.0	10 pcs	140.0256
		Contact tip M6, E-Cu Ø 0.8 for Aluminium wire	10 pcs	141.0002
		Contact tip M6, E-Cu Ø 1.0 for Aluminium wire	10 pcs	141.0007
	91	Contact tip M6, E-Cu Ø 0.6	10 pcs	140.D010
		Contact tip M6, E-Cu Ø 0.8	10 pcs	140.D011
		Contact tip M6, E-Cu Ø 1.0	10 pcs	140.D012
	100	Gas nozzle M12, NW12 plated	10 pcs	145.D001 •
	101	Gas nozzle M12, NW12 plated, long	10 pcs	145.D004
	102	Gas nozzle M12, NW17 plated, cylindrical	10 pcs	145.D003
		Gas nozzle M12, NW12 bare, with prol. insulation	10 pcs	145.D205
	110	Neck liner 1.5 for wire Ø 0.6-1.0	for ABIMIG® T-Line	122.D037 •
		Neck liner 1.6 brass for wire Ø 0.6-1.0	for ABIMIG® T-Line	122.D040
	120	Torch liner insulated 1.3/3.6 brown with collet for wire Ø 0.6-0.8	for 3.00 m for 4.00 m for 5.00 m	124.D002 • 124.D003 • 124.D004 •
		Torch liner insulated 1.5/3.6 black with collet for wire Ø 0.8-1.0	for 3.00 m for 4.00 m for 5.00 m	124.D006 124.D007 124.D008
	130	Teflon liner 1.5/4.0 blue with collet and O-ring for wire Ø 0.6-1.0	for 3.00 m for 4.00 m for 5.00 m	126.0005 126.0008 126.0011
		Carbon teflon liner 1.5/4.0 with collet and O-ring for wire Ø 0.6-1.0	for 3.00 m for 4.00 m for 5.00 m	127.0002 127.0003 127.0004
	131	Collet for core liner with outer diameter 4.0	20 pcs	131.0001
	132	O-ring 3.5x1.5	20 pcs	165.0008
	133	Guide tube with outer diameter 5.0 for core liners up to outer diameter 4.0	up to 200mm	129.xxxx
200	Spanner for ABIMIG®		191.D030	

• Standard-equipment

Explanation of Encoding

ABIMIG® - Torches

ABIMIG® 150 L Torch of series ABIMIG® range 150

ABIMIG® 150 T L Torch of series ABIMIG® T range 150

ABIMIG® - Machine torches

ABIMIG® MT 150 0° }
ABIMIG® MT 150 45° } ABIMIG® - Machine torch MT range 150

Swan necks

T Neck exchange system; turnable and to be unfastened at any time

T8 Neck exchange system; fixable in 8 positions and to be unfastened at any time

TM as T; but with metal jacket

T8M as T8; but with metal jacket

K45° Swan neck short 45° bent

Handles

Handle L small handle

Handle S medium handle

Welding & cutting brought to the point.



Alexander Binzel Schweisstechnik GmbH & Co. KG
P.O. Box 10 01 53 · D-35331 Giessen
Tel.: ++49 (0) 64 08 / 59-0
Fax: ++49 (0) 64 08 / 59-194
Internet: www.binzel-abicor.com