

# MIG/MAG- Welding torches ABIMIG® 200 ABIMIG® 200 T air cooled



ABICOR BINZEL.  
The right welding  
torch for every  
job!

Welding torches of the ABIMIG® series feature either fixed or adjustable and changeable neck options. Different handle variants and trigger lengths are also available.

These properties allow flexible adjustment of the torch to different welding

positions and individual preferences.

Welding torches of range ABIMIG® 200, due to their functionality, are ideal for the welding of thin gauge metal.

#### Technical data (EN 60 974-7):

Rating: 180 A CO<sub>2</sub>  
150 A Mixed Gases M 21  
(DIN EN 439)  
60% Duty Cycle  
Wire Sizes: 0.6 - 1.0

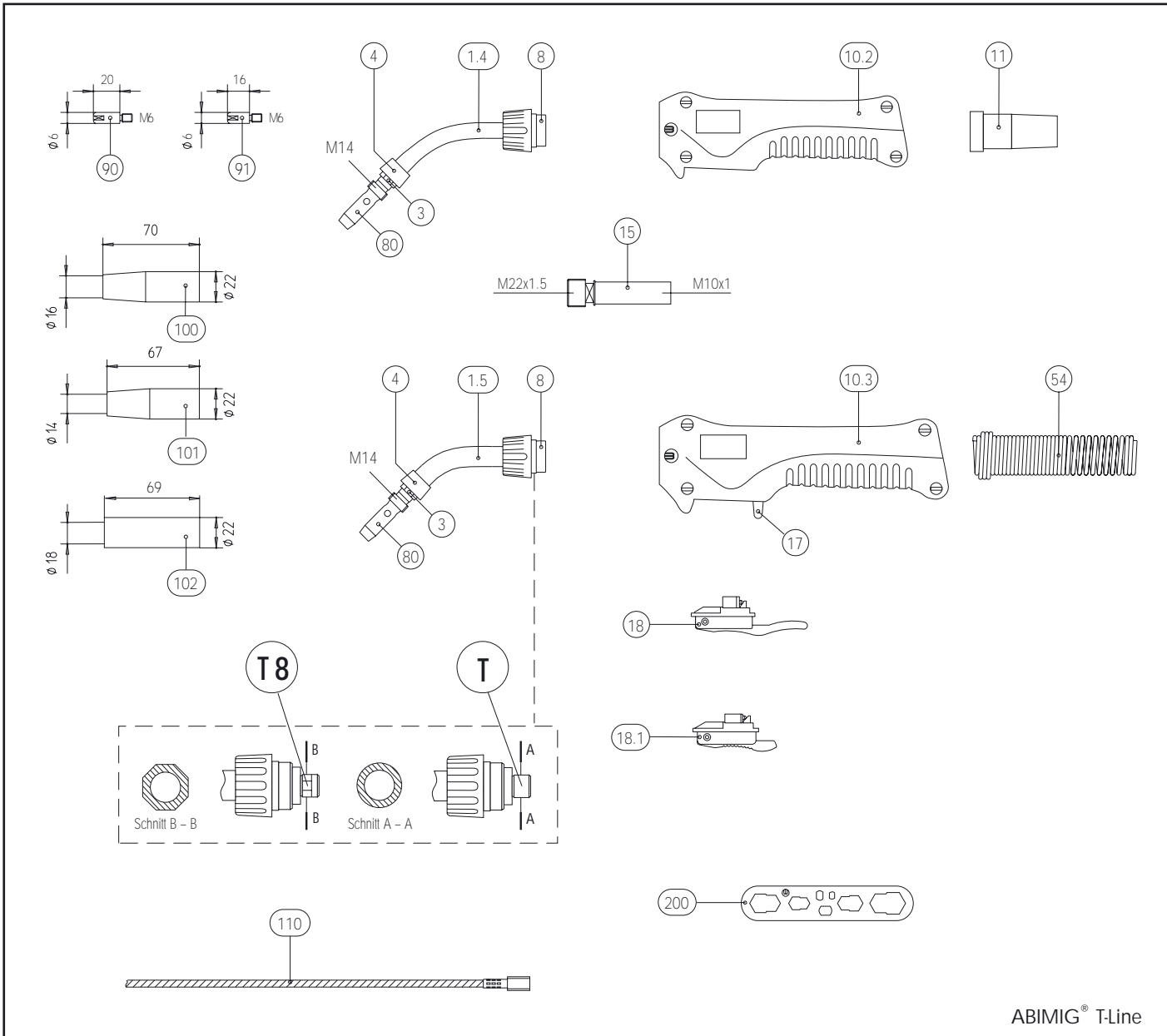
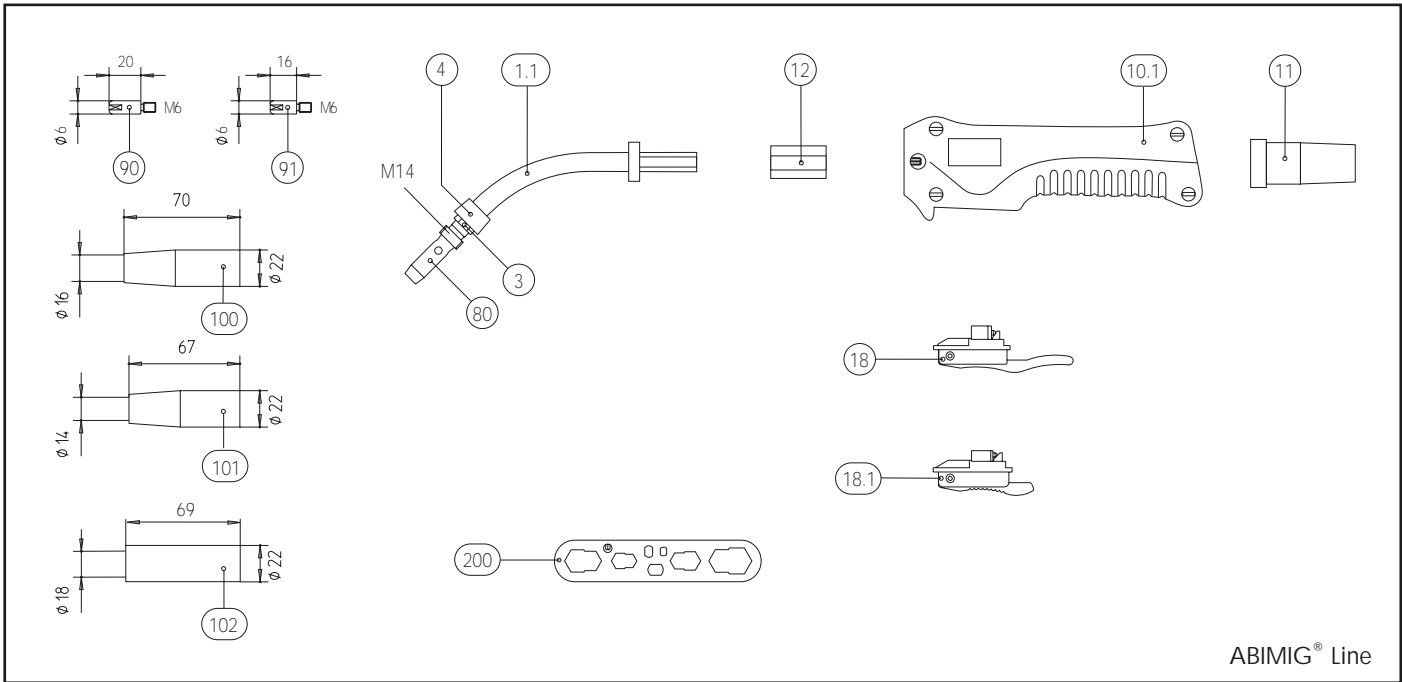
Rated using power source with VDE standard volt/amp characteristic ( $U=14+0.05xI$ ).  
When pulse welding, reduce rating by 35%.

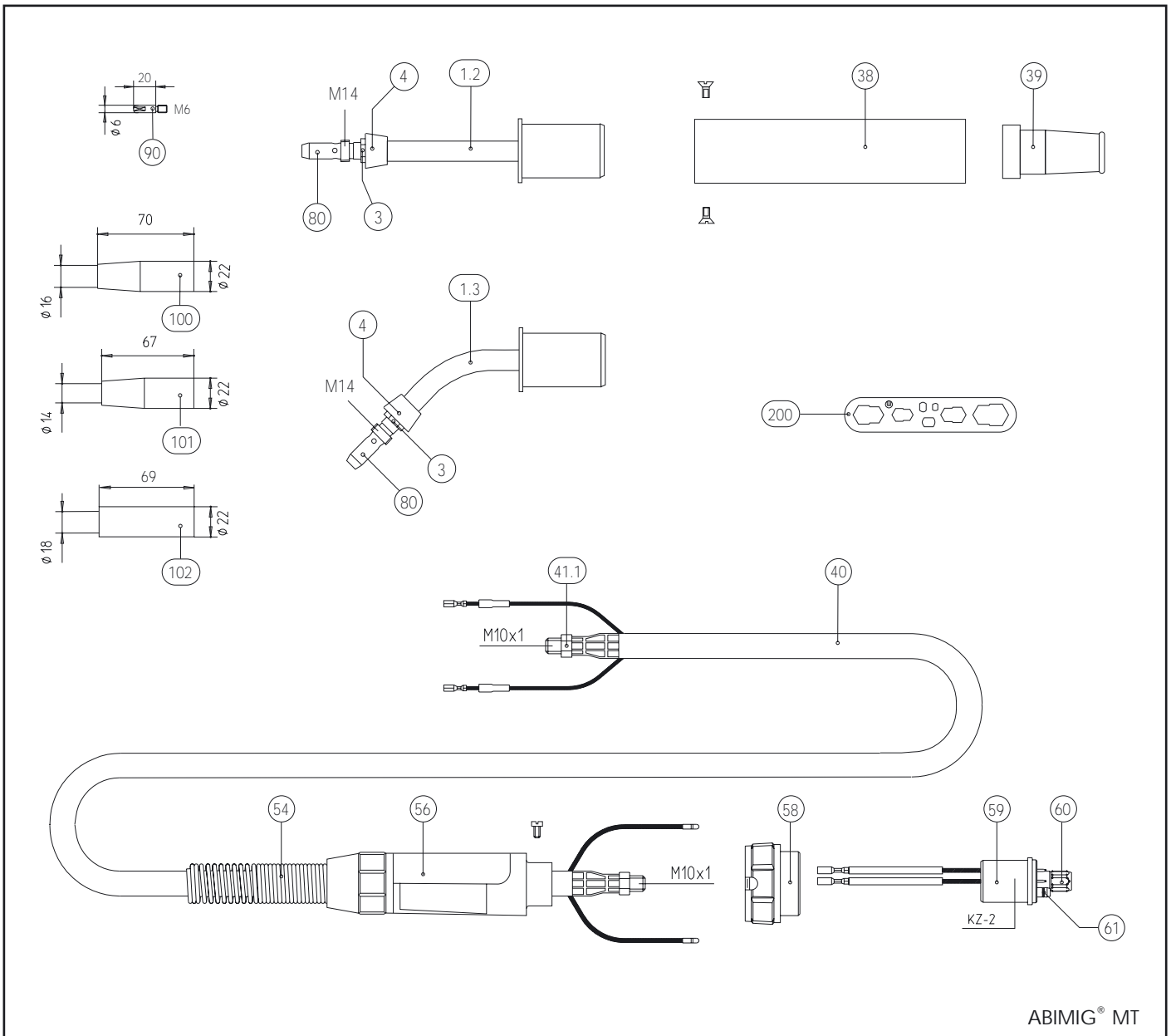
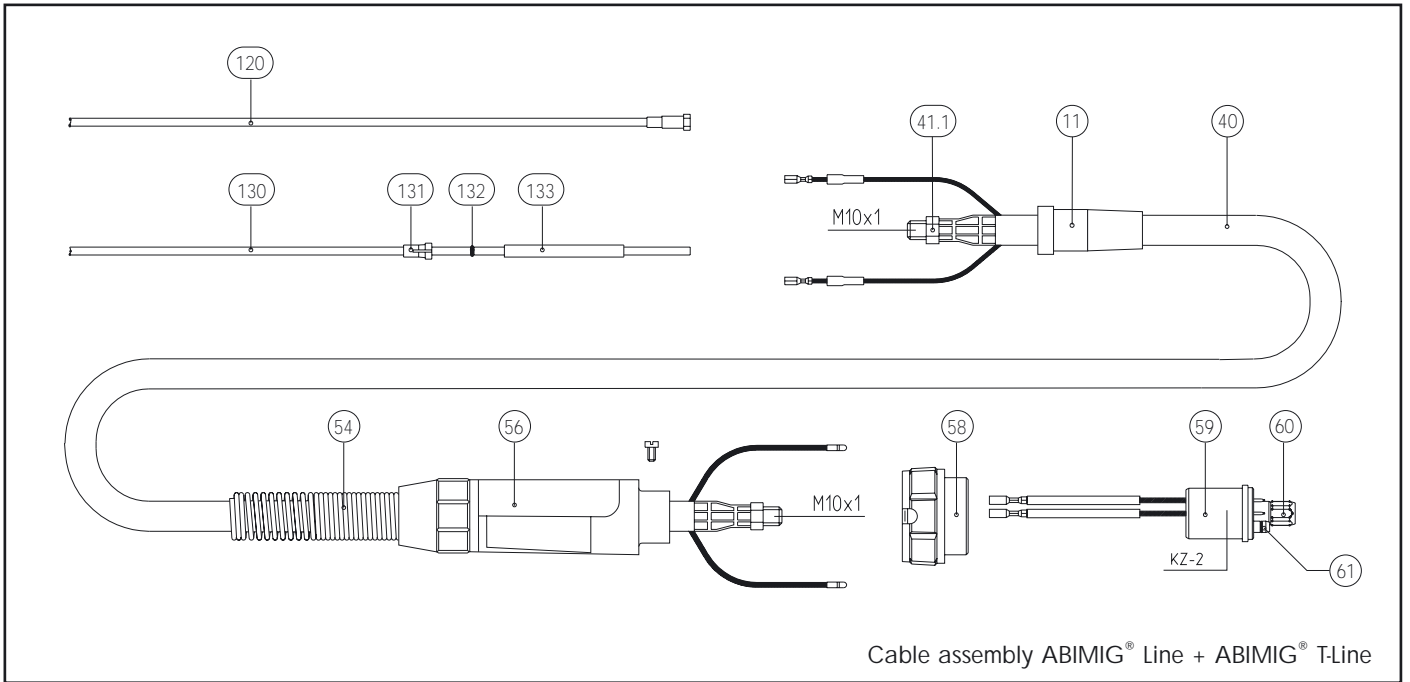
| Type               | Version  | 3.00 m long | 4.00 m long | 5.00 m long |
|--------------------|--|-------------|-------------|-------------|
|                    |  | Part no.    | Part no.    | Part no.    |
| ABIMIG® 200 L      | Swan neck 50° bent, fixed, handle L              | 767.D100    | 767.D101    | 767.D102    |
| ABIMIG® 200 T L*   | Swan neck 45° bent, rotating, handle L           | 002.D517    | 002.D518    | 002.D519    |
| ABIMIG® MT 200 0°  | Machine torch neck, straight, fixed, handle tube | 767.D110    | 767.D111    | 767.D112    |
| ABIMIG® MT 200 45° | Machine torch neck 45° bent, fixed, handle tube  | 767.D113    | 767.D114    | 767.D115    |

\*Attention! Due to the manifold possible variations of ABIMIG® T in this table is shown only a preference torch. Different options are available according to the part list of this leaflet. Please state in your order verbally.

Welding & cutting brought to the point.







| Build group           | Pos.           | Description                                      | Specifications                    | Part no.                          |                                   |          |
|-----------------------|----------------|--|-----------------------------------|-----------------------------------|-----------------------------------|----------|
| <b>Torch</b>          | 1.1            | Swan neck ABIMIG® 200                            | for contact tip BINZEL M6 Pos. 90 | 767.D103 •                        |                                   |          |
|                       |                | Swan neck ABIMIG® 200                            | for contact tip HAUFÉ M6 Pos. 91  | 767.D109                          |                                   |          |
|                       | 1.2            | Swan neck ABIMIG® MT 200 0°                      | for contact tip BINZEL M6 Pos. 90 | 767.D116 •                        |                                   |          |
|                       | 1.3            | Swan neck ABIMIG® MT 200 45°                     | for contact tip BINZEL M6 Pos. 90 | 767.D117 •                        |                                   |          |
|                       | 1.4            |  | Swan neck ABIMIG® 200 T 45°       | for contact tip BINZEL M6 Pos. 90 | 004.D281 •                        |          |
|                       |                |  | Swan neck ABIMIG® 200 T8 45°      | for contact tip BINZEL M6 Pos. 90 | 002.D237                          |          |
|                       |                |  | Swan neck ABIMIG® 200 TM 45°      | for contact tip BINZEL M6 Pos. 90 | 004.D632                          |          |
|                       |                |  | Swan neck ABIMIG® 200 T8M 45°     | for contact tip BINZEL M6 Pos. 90 | 004.D634                          |          |
|                       |                |  | Swan neck ABIMIG® 200 T 45°       | for contact tip HAUFÉ M6 Pos. 91  | 004.D291                          |          |
|                       |                |  | Swan neck ABIMIG® 200 T8 45°      | for contact tip HAUFÉ M6 Pos. 91  | 002.D241                          |          |
|                       |                |  | Swan neck ABIMIG® 200 TM 45°      | for contact tip HAUFÉ M6 Pos. 91  | 004.D652                          |          |
|                       |                |  | Swan neck ABIMIG® 200 T8M 45°     | for contact tip HAUFÉ M6 Pos. 91  | 004.D653                          |          |
|                       |                | 1.5  |                                   | Swan neck ABIMIG® 200 T K45°      | for contact tip BINZEL M6 Pos. 90 | 004.D638 |
|                       |                |  |                                   | Swan neck ABIMIG® 200 T8 K45°     | for contact tip BINZEL M6 Pos. 90 | 004.D646 |
|                       |                |  | Swan neck ABIMIG® 200 TM K45°     | for contact tip BINZEL M6 Pos. 90 | 004.D642                          |          |
|                       |                |  | Swan neck ABIMIG® 200 T8M K45°    | for contact tip BINZEL M6 Pos. 90 | 004.D650                          |          |
|                       |                |  | Swan neck ABIMIG® 200 T K45°      | for contact tip HAUFÉ M6 Pos. 91  | 004.D654                          |          |
|                       |                |  | Swan neck ABIMIG® 200 T8 K45°     | for contact tip HAUFÉ M6 Pos. 91  | 004.D656                          |          |
|                       |                |  | Swan neck ABIMIG® 200 TM K45°     | for contact tip HAUFÉ M6 Pos. 91  | 004.D655                          |          |
|                       |                |  | Swan neck ABIMIG® 200 T8M K45°    | for contact tip HAUFÉ M6 Pos. 91  | 004.D658                          |          |
|                       | 3              | Counter nut M10x1 LH                             | 10 pcs                            | 004.D280                          |                                   |          |
|                       | 4              | Spacer for metal jacket                          | 10 pcs                            | 766.D008                          |                                   |          |
|                       |                | Spacer   | 10 pcs                            | 006.D189                          |                                   |          |
| 8                     | Cap nutM22x1.5 |  | 004.D618                          |                                   |                                   |          |
| <b>Handle</b>         | 10.1           | Handle L, cpl. for ABIMIG® Line                  |                                   | 180.D055 •                        |                                   |          |
|                       | 10.2           | Handle L, cpl. for ABIMIG® T-Line                |                                   | 180.D054 •                        |                                   |          |
|                       | 10.3           | Handle S, cpl. for ABIMIG® T-Line                |                                   | 180.D026                          |                                   |          |
|                       | 11             | Cable support for handle L                       |                                   | 400.D267                          |                                   |          |
|                       | 12             | Intermediate piece                               |                                   | 400.0044                          |                                   |          |
|                       | 15             | Swan neck mounting M22x1.5 with octagon junction |                                   | 004.D299                          |                                   |          |
|                       | 17             | Switch guard                                     |                                   | 400.D252                          |                                   |          |
|                       | 18             | Trigger, long                                    |                                   | 185.D037 •                        |                                   |          |
|                       | 18.1           | Trigger, short                                   |                                   | 185.D024                          |                                   |          |
|                       | 38             | Handle tube AUT                                  |                                   | 180.D040                          |                                   |          |
|                       | 39             | Cable support for BIKOX® B4                      |                                   | 400.0100                          |                                   |          |
| <b>Cable assembly</b> | 40             | BIKOX® cable assembly B4                         | for 3,00 m                        | 160.0065                          |                                   |          |
|                       |                | BIKOX® cable assembly B4                         | for 4,00 m                        | 160.0078                          |                                   |          |
|                       |                | BIKOX® cable assembly B4                         | for 5,00 m                        | 160.0091                          |                                   |          |
|                       | 41.1           | Hexagonal nut M10x1                              |                                   | 001.0009                          |                                   |          |
|                       | 54             | Cable support spring dia. 21                     |                                   | 400.D205                          |                                   |          |
|                       | 56             | Cable support machine side                       |                                   | 500.D035                          |                                   |          |
|                       | 58             | Connecting nut                                   |                                   | 500.0213                          |                                   |          |
|                       | 59             | Central adaptor plug KZ-2                        |                                   | 501.0003                          |                                   |          |
|                       | 60             | Nut M10x1  | 10 pcs                            | 501.0082                          |                                   |          |
|                       | 61             | O-ring 4x1                                       | 20 pcs                            | 165.0002                          |                                   |          |

| Build group | Pos.   | Description  | Specifications                         | Part no.                               |
|-------------|--|--|--|--|
| Wear parts  | 80   | Tip holder M14/M6/43 LH<br>for contact tip BINZEL Pos. 90                | 10 pcs                                 | 004.D279                               |
|             |  | Tip holder M14/M6/47 LH<br>for contact tip HAUFE Pos. 91                 | 10 pcs                                 | 004.D290                               |
|             | 90   | Contact tip M6, E-Cu    Ø 0.6  | 10 pcs                                 | 140.0008                               |
|             |  | Contact tip M6, E-Cu    Ø 0.8  | 10 pcs                                 | 140.0059 •                             |
|             |  | Contact tip M6, E-Cu    Ø 1.0  | 10 pcs                                 | 140.0253                               |
|             |  | Contact tip M6, CuCrZr   Ø 0.6   | 10 pcs                                 | 140.0855                               |
|             |  | Contact tip M6, CuCrZr   Ø 0.8   | 10 pcs                                 | 140.0062                               |
|             |  | Contact tip M6, CuCrZr   Ø 1.0   | 10 pcs                                 | 140.0256                               |
|             |  | Contact tip M6, E-Cu    Ø 0.8 for Aluminium wire                         | 10 pcs                                 | 141.0002                               |
|             |  | Contact tip M6, E-Cu    Ø 1.0 for Aluminium wire                         | 10 pcs                                 | 141.0007                               |
|             | 91   | Contact tip M6, E-Cu    Ø 0.6  | 10 pcs                                 | 140.D010                               |
|             |  | Contact tip M6, E-Cu    Ø 0.8  | 10 pcs                                 | 140.D011                               |
|             |  | Contact tip M6, E-Cu    Ø 1.0  | 10 pcs                                 | 140.D012                               |
|             | 100  | Gas nozzle M14, dia 16 plated  | 10 pcs                                 | 145.D011                               |
|             | 101  | Gas nozzle M14, dia 14 plated, short                                     | 10 pcs                                 | 145.D012 •                             |
|             | 102  | Gas nozzle M14, dia 18 plated, cylindrical                               | 10 pcs                                 | 145.D014                               |
|             |  | Gas nozzle M14, dia 16 bare with prol. insulation                        | 10 pcs                                 | 145.D195                               |
|             | 110  | Neck liner 1.5 for wire Ø 0.6-1.0  | for ABIMIG® T-Line                     | 122.D037 •                             |
|             |  | Neck liner 1.6 brass<br>for wire Ø 0.6-1.0                               | for ABIMIG® T-Line                     | 122.D040                               |
|             | 120  | Torch liner, insulated 1.3/3.6 brown with<br>collet for wire Ø 0.6-0.8   | for 3.00 m<br>for 4.00 m<br>for 5.00 m | 124.D002<br>124.D003<br>124.D004       |
|             |  | Torch liner, insulated 1.5/3.6 black with<br>collet for wire Ø 0.8-1.0   | for 3.00 m<br>for 4.00 m<br>for 5.00 m | 124.D006 •<br>124.D007 •<br>124.D008 • |
|             | 130  | Teflon liner 1.5/4.0 blue with collet<br>and O-ring for wire Ø 0.6-1.0   | for 3.00 m<br>for 4.00 m<br>for 5.00 m | 126.0005<br>126.0008<br>126.0011       |
|             |  | Carbon teflon liner 1.5/4.0 with collet<br>and O-ring for wire Ø 0.6-1.0 | for 3.00 m<br>for 4.00 m<br>for 5.00 m | 127.0002<br>127.0003<br>127.0004       |
| 131         | Collet for core liner with outer diameter 4.0                                  | 20 pcs   | 131.0001                               |  |
| 132         | O-ring 3.5x1.5   | 20 pcs   | 165.0008                               |  |
| 133         | Guide tube with outer diameter 5.0<br>for core liners up to outer diameter 4.0 | up to 200 mm   | 129.xxxx                               |  |
| 200         | Spanner for ABIMIG®  |  | 191.D030                               |  |

• Standard-equipment

## Explanation of Encoding

### ABIMIG® - Torches

|                 |                                     |
|-----------------|-------------------------------------|
| ABIMIG® 200 L   | Torch of series ABIMIG® range 200   |
| ABIMIG® 200 T L | Torch of series ABIMIG® T range 200 |

### ABIMIG® - Machine torches

|                    |  |
|--------------------|--|
| ABIMIG® MT 200 0°  | } ABIMIG® - Machine torch MT range 200 |
| ABIMIG® MT 200 45° |  |

### Swan necks

|      |   |
|------|---|
| T    | Neck exchange system; turnable und to be unfastened at any time               |
| T8   | Neck exchange system; fixable in 8 positions and to be unfastened at any time |
| TM   | as T; but with metal jacket   |
| T8M  | as T8; but with metal jacket  |
| K45° | Swan neck short 45° bent  |

### Handles

|          |               |
|----------|---------------|
| Handle L | small handle  |
| Handle S | medium handle |

Welding & cutting brought to the point.



Alexander Binzel Schweisstechnik GmbH & Co. KG  
P.O. Box 10 01 53 · D-35331 Giessen  
Tel.: ++49 (0) 64 08 / 59-0  
Fax: ++49 (0) 64 08 / 59-194  
Internet: www.binzel-abicor.com