

# MIG/MAG- Welding torches

## ABIMIG® 250 ABIMIG® 250 T air cooled



ABICOR BINZEL.  
The right welding  
torch for every  
job!

Welding torches of the ABIMIG® series feature either fixed or adjustable and changeable neck options. Different handle variants and trigger lengths are also available.

The ergonomic handle and the high flexible cable assembly make

welding more comfortable and less tiring.

Welding torches of range ABIMIG® 250 due to their robust construction and functionality are ideal for a variety of industrial uses.

### Technical data (EN 60 974-7):

Rating:	250 A CO <sub>2</sub> 200 A Mixed Gases M 21 (DIN EN 439) 60% Duty Cycle
Wire sizes:	0.8 - 1.2

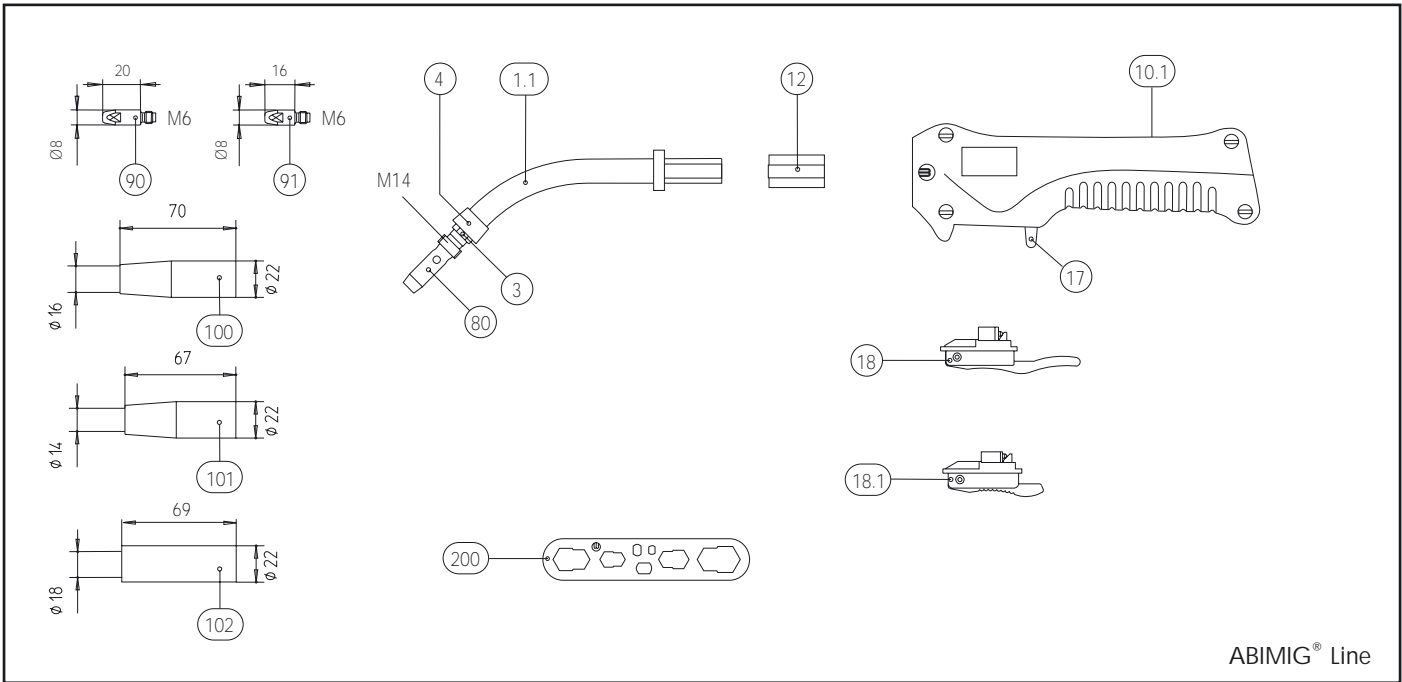
Rated using power source with VDE standard volt/amp characteristic ( $U=14+0.05x$ ). When pulse welding, reduce rating by 35%.

Type	Version	3.00 m long	4.00 m long	5.00 m long
		Part no.	Part no.	Part no.
ABIMIG® 250 S	Swan neck 50° bent, fixed, metal jacket and handle S	767.D200	767.D207	767.D208
ABIMIG® 250 TM S*	Swan neck 45° bent, rotating, metal jacket and handle S	004.D517	004.D518	004.D519
ABIMIG® MT 250 0°	Machine torch neck, straight, fixed, metal jacket and handle tube	767.D210	767.D211	767.D212
ABIMIG® MT 250 45°	Machine torch neck 45° bent, fixed, metal jacket and handle tube	767.D213	767.D214	767.D215

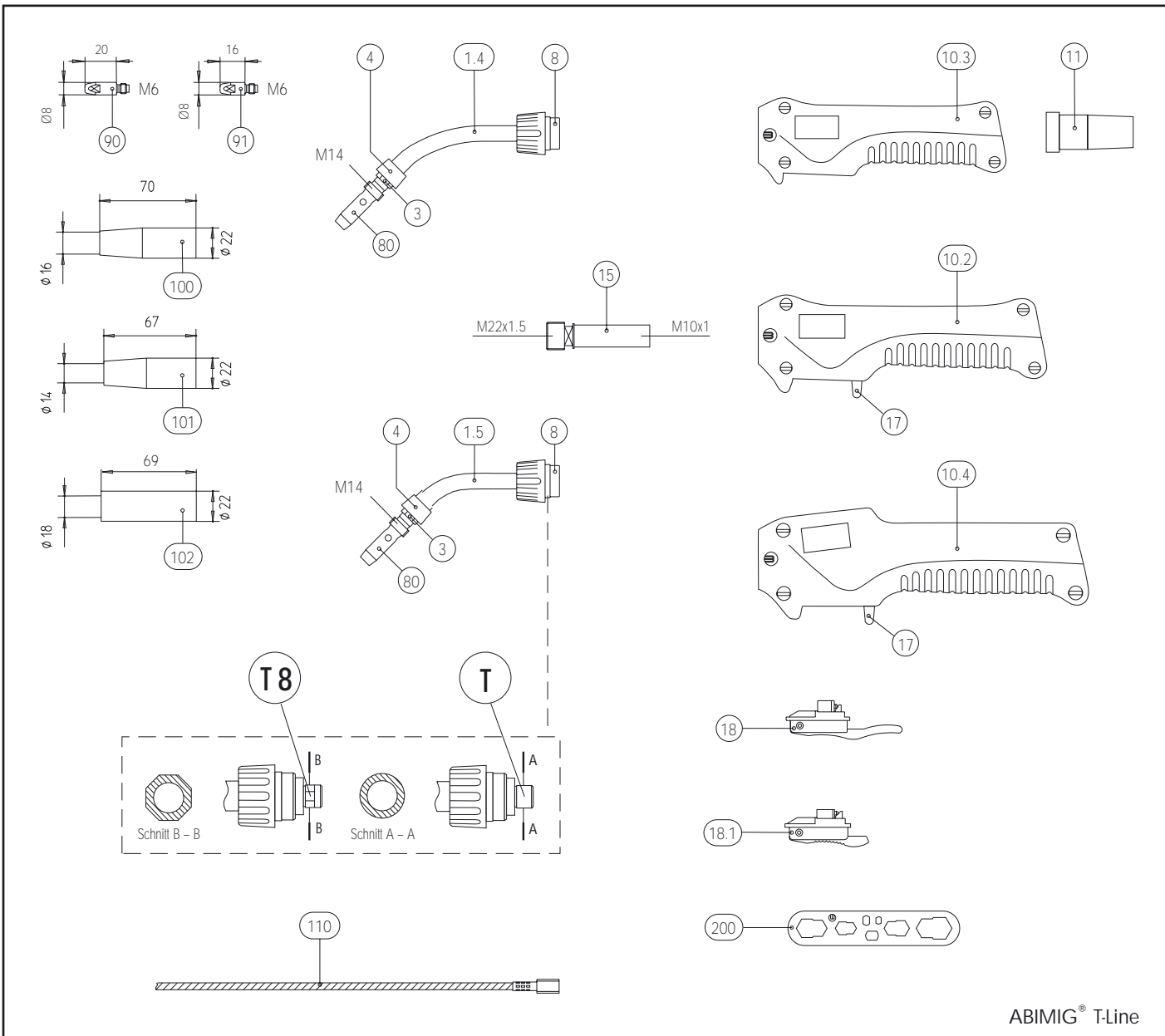
\*Attention! Due to the manifold possible variations of ABIMIG® T in this table is shown only a preference torch. Different options are available according to the part list of this leaflet. Please state in your order verbally.

Welding & cutting brought to the point.

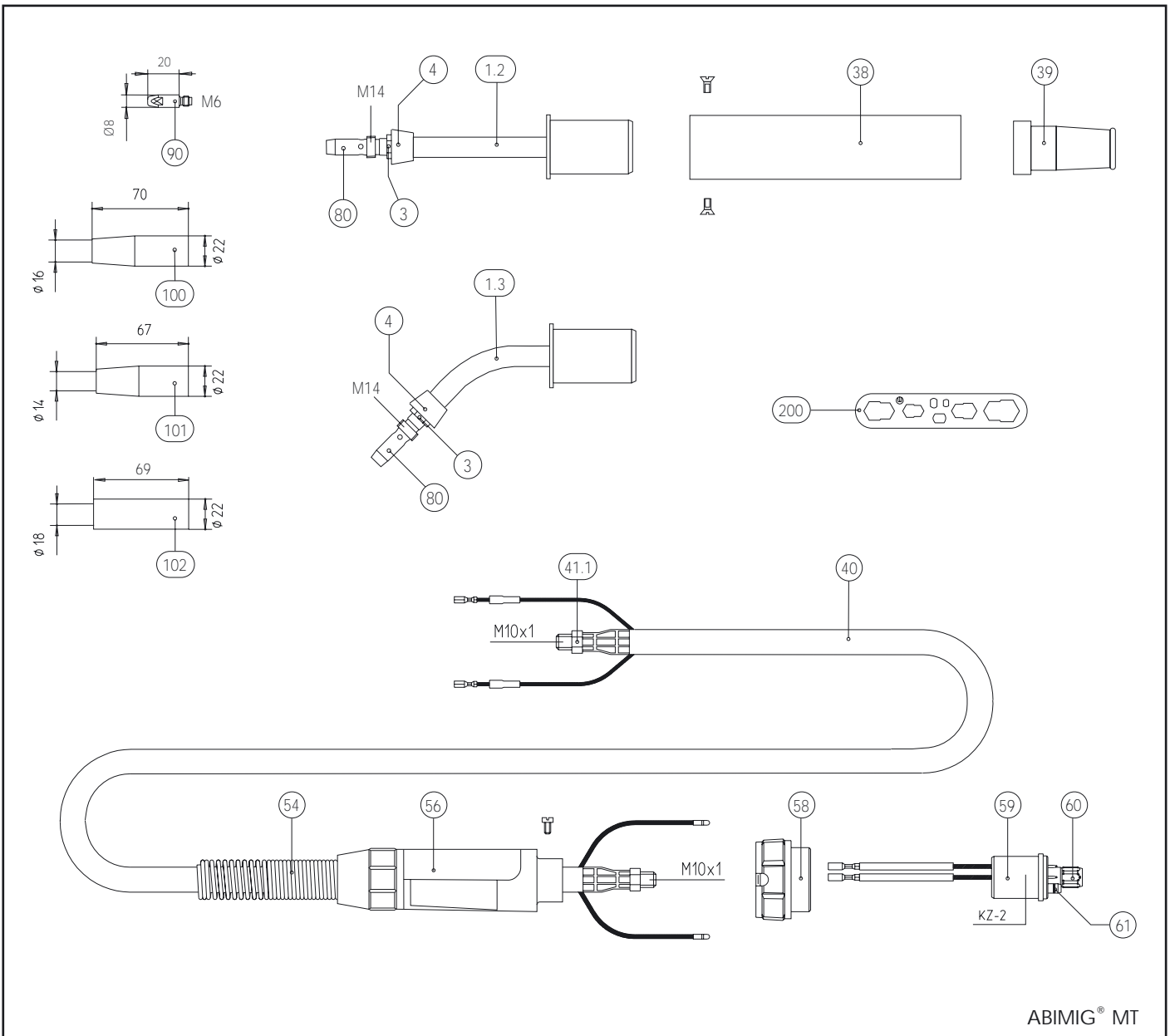
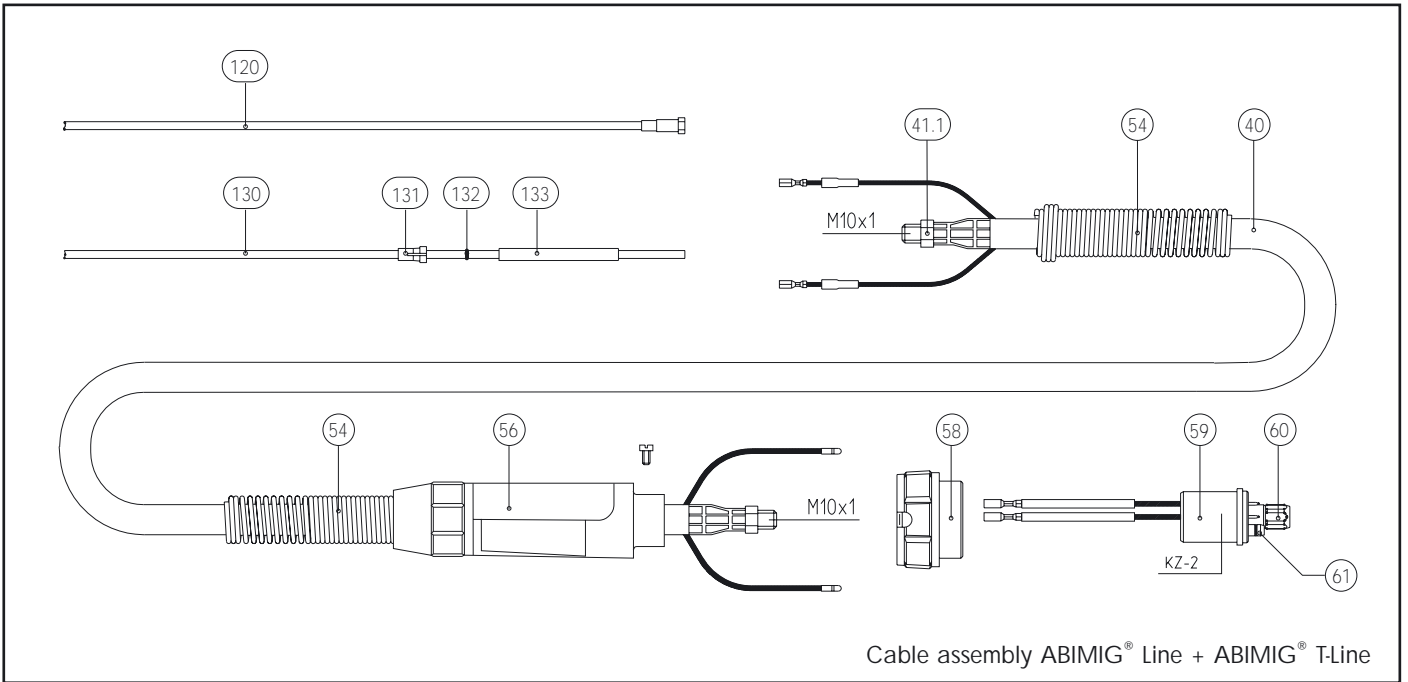




ABIMIG® Line



ABIMIG® T-Line



Subject to change without notice. • Guarantee for Genuine BINZEL spares only.

Build group	Pos.	Description	Specifications	Part no.		
<b>Torch</b>	1.1	Swan neck ABIMIG® 250	for contact tip BINZEL M6 Pos. 90	767.D201 •		
		Swan neck ABIMIG® 250	for contact tip HAUFÉ M6 Pos. 91	767.D209		
	1.2	Swan neck ABIMIG® MT 250 0°	for contact tip BINZEL M6 Pos. 90	767.D216 •		
	1.3	Swan neck ABIMIG® MT 250 45°	for contact tip BINZEL M6 Pos. 90	767.D217 •		
	1.4		Swan neck ABIMIG® 250 T 45°	for contact tip BINZEL M6 Pos. 90	004.D281	
			Swan neck ABIMIG® 250 T8 45°	for contact tip BINZEL M6 Pos. 90	002.D237	
			Swan neck ABIMIG® 250 TM 45°	for contact tip BINZEL M6 Pos. 90	004.D632 •	
			Swan neck ABIMIG® 250 T8M 45°	for contact tip BINZEL M6 Pos. 90	004.D634	
			Swan neck ABIMIG® 250 T 45°	for contact tip HAUFÉ M6 Pos. 91	004.D291	
			Swan neck ABIMIG® 250 T8 45°	for contact tip HAUFÉ M6 Pos. 91	002.D241	
			Swan neck ABIMIG® 250 TM 45°	for contact tip HAUFÉ M6 Pos. 91	004.D652	
			Swan neck ABIMIG® 250 T8M 45°	for contact tip HAUFÉ M6 Pos. 91	004.D653	
		1.5		Swan neck ABIMIG® 250 T K45°	for contact tip BINZEL M6 Pos. 90	004.D638
				Swan neck ABIMIG® 250 T8 K45°	for contact tip BINZEL M6 Pos. 90	004.D646
			Swan neck ABIMIG® 250 TM K45°	for contact tip BINZEL M6 Pos. 90	004.D642	
			Swan neck ABIMIG® 250 T8M K45°	for contact tip BINZEL M6 Pos. 90	004.D650	
			Swan neck ABIMIG® 250 T K45°	for contact tip HAUFÉ M6 Pos. 91	004.D654	
			Swan neck ABIMIG® 250 T8 K45°	for contact tip HAUFÉ M6 Pos. 91	004.D656	
			Swan neck ABIMIG® 250 TM K45°	for contact tip HAUFÉ M6 Pos. 91	004.D655	
			Swan neck ABIMIG® 250 T8M K45°	for contact tip HAUFÉ M6 Pos. 91	004.D658	
	3	Counter nut M10x1 LH	10 pcs	004.D280		
	4	Spacer for metal jacket	10 pcs	766.D008		
		Spacer	10 pcs	006.D189		
8	Cap nut M22x1.5		004.D618			
<b>Handle</b>	10.1	Handle S, cpl. for ABIMIG® Line		180.D034 •		
	10.2	Handle S, cpl. for ABIMIG® T-Line		180.D026 •		
	10.3	Handle L, cpl. for ABIMIG® T-Line		180.D054		
	10.4	Handle V, cpl. for ABIMIG® T-Line		180.D024		
		Cover plate for handle V		400.0359		
	11	Cable support for handle L		400.D267		
	12	Intermediate piece		400.0044		
	15	Swan neck mounting M22x1.5 with octagon junction		004.D299		
	17	Switch guard		400.D252		
	18	Trigger, long		185.D037 •		
	18.1	Trigger, short		185.D024		
	38	Handle tube AUT		180.D040		
	39	Cable support for BIKOX® B5-B6-B7		400.0099		
<b>Cable assembly</b>	40	BIKOX® R- cable assembly B5	for 3.00 m	160.D427		
		BIKOX® R- cable assembly B5	for 4.00 m	160.D428		
		BIKOX® R- cable assembly B5	for 5.00 m	160.D429		
	41.1	Hexagonal nut M10x1		001.0009		
	54	Cable support spring dia 21		400.D205		
	56	Cable support, machine side		500.D035		
	58	Connecting nut		500.0213		
	59	Central adaptor plug KZ-2		501.0003		
	60	Nut M10x1	10 pcs	501.0082		
	61	O-ring 4x1	20 pcs	165.0002		

Build group	Pos.	Description	Specifications	Part no.
Wear parts	80	Tip holder M14/M6/43 LH for contact tip BINZEL Pos. 90	10 pcs	004.D279
		Tip holder M14/M6/47 LH for contact tip HAUFE Pos.91	10 pcs	004.D290
	90	Contact tip M6, E-Cu    Ø 0.8	10 pcs	140.0051
		Contact tip M6, E-Cu    Ø 1.0	10 pcs	140.0242 •
		Contact tip M6, E-Cu    Ø 1.2	10 pcs	140.0379
		Contact tip M6, CuCrZr   Ø 0.8	10 pcs	140.0054
		Contact tip M6, CuCrZr   Ø 1.0	10 pcs	140.0245
		Contact tip M6, CuCrZr   Ø 1.2	10 pcs	140.0382
		Contact tip M6, E-Cu    Ø 0.8 for Aluminium wire	10 pcs	141.0001
		Contact tip M6, E-Cu    Ø 1.0 for Aluminium wire	10 pcs	141.0006
		Contact tip M6, E-Cu    Ø 1.2 for Aluminium wire	10 pcs	141.0010
	91	Contact tip M6, E-Cu    Ø 0.8	10 pcs	140.D101
		Contact tip M6, E-Cu    Ø 1.0	10 pcs	140.D102
		Contact tip M6, E-Cu    Ø 1.2	10 pcs	140.D103
	100	Gas nozzle M14, dia16 plated	10 pcs	145.D011 •
	101	Gas nozzle M14, dia 14 plated, short	10 pcs	145.D012
	102	Gas nozzle M14, dia 18 plated, cylindrical	10 pcs	145.D014
		Gas nozzle M14, dia 16 bare, with prol. insulation	10 pcs	145.D195
	110	Neck liner 1.5 for wire Ø 0.6-1.0	for ABIMIG® T-Line	122.D037
		Neck liner 2.0 for wire Ø 1.0-1.2	for ABIMIG® T-Line	122.D038 •
		Neck liner 1.6 brass for Draht Ø 0.6-1.0	for ABIMIG® T-Line	122.D040
		Neck liner 2.2 brass for wire Ø 1.0-1.4	for ABIMIG® T-Line	122.D041
	120	Torch liner insulated 1.5/4.5 blue with collet for wire Ø 0.8-1.0	for 3.00 m for 4.00 m for 5.00 m	124.0011 124.0012 124.0015
		Torch liner insulated 2.0/4.5 red with collet for wire Ø 1.0-1.2	for 3.00 m for 4.00 m for 5.00 m	124.0026 • 124.0031 • 124.0035 •
	130	Teflon liner 1.5/4.0 blue with and O-ring for wire Ø 0.6-1.0	for 3.00 m for 4.00 m for 5.00 m	126.0005 126.0008 126.0011
		Teflon liner 2.0/4.0 red with collet and O-ring for wire Ø 1.0-1.4	for 3.00 m for 4.00 m for 5.00 m	126.0021 126.0026 126.0028
		Carbon teflon liner 1.5/4.0 with collet and O-ring for wire Ø 0.6-1.0	for 3.00 m for 4.00 m for 5.00 m	127.0002 127.0003 127.0004
	Carbon teflon liner 2.0/4.0 with collet and O-ring for wire Ø 1.0 -1.4	for 3.00 m for 4.00 m for 5.00 m	127.0005 127.0007 127.0008	

Build group	Pos.	Description	Specifications	Part no.
	131	Collet for core liner with outer diameter 4.0	20 pcs	131.0001
	132	O-ring 3.5x1.5	20 pcs	165.0008
	133	Guide tube with outer diameter 5.0 for core liners up to outer diameter 4.0	up to 200 mm	129.xxxx
	200	Spanner for ABIMIG®		191.D030

- Standard-equipment

---

## Explanation of Encoding

---

### ABIMIG® - Torches

ABIMIG® 250 S	Torch of series ABIMIG® range 250
ABIMIG® 250 TM S	Torch of series ABIMIG® T range 250

### ABIMIG® - Machine torches

ABIMIG® MT 250 0°	} ABIMIG® - Machine torches MT range 250
ABIMIG® MT 250 45°	

### Swan necks

T	Neck exchange system; turnable and to be unfastened at any time
T8	Neck exchange system; fixable in 8 positions and to be unfastened at any time
TM	as T; but with metal jacket
T8M	as T8; but with metal jacket
K45°	Swan neck short 45° bent

### Handles

Handle L	small handle
Handle S	medium handle
Handle V	large handle with space for control modules

---

Welding & cutting brought to the point.



Alexander Binzel Schweisstechnik GmbH & Co. KG  
P.O. Box 10 01 53 · D-35331 Giessen  
Tel.: ++49 (0) 64 08 / 59-0  
Fax: ++49 (0) 64 08 / 59-194  
Internet: [www.binzel-abicor.com](http://www.binzel-abicor.com)