

MIG/MAG- Welding torches ABIMIG® 350 ABIMIG® 350 T air cooled



ABICOR BINZEL.
The right welding
torch for every
job!

Welding torches of the ABIMIG® series feature either fixed or adjustable and changeable neck options. Different handle variants and trigger lengths are also available.

The ergonomic handle and the high flexible cable assembly make

welding more comfortable and less tiring.

Welding torches of range ABIMIG® 350 due to their robust construction and functionality are ideal for a variety of industrial uses.

Technical data (EN 60 974-7):

Rating:	360 A CO ₂ 320 A Mixed Gases M 21 (DIN EN 439) 60% Duty Cycle
Wire sizes:	1.0 - 1.6

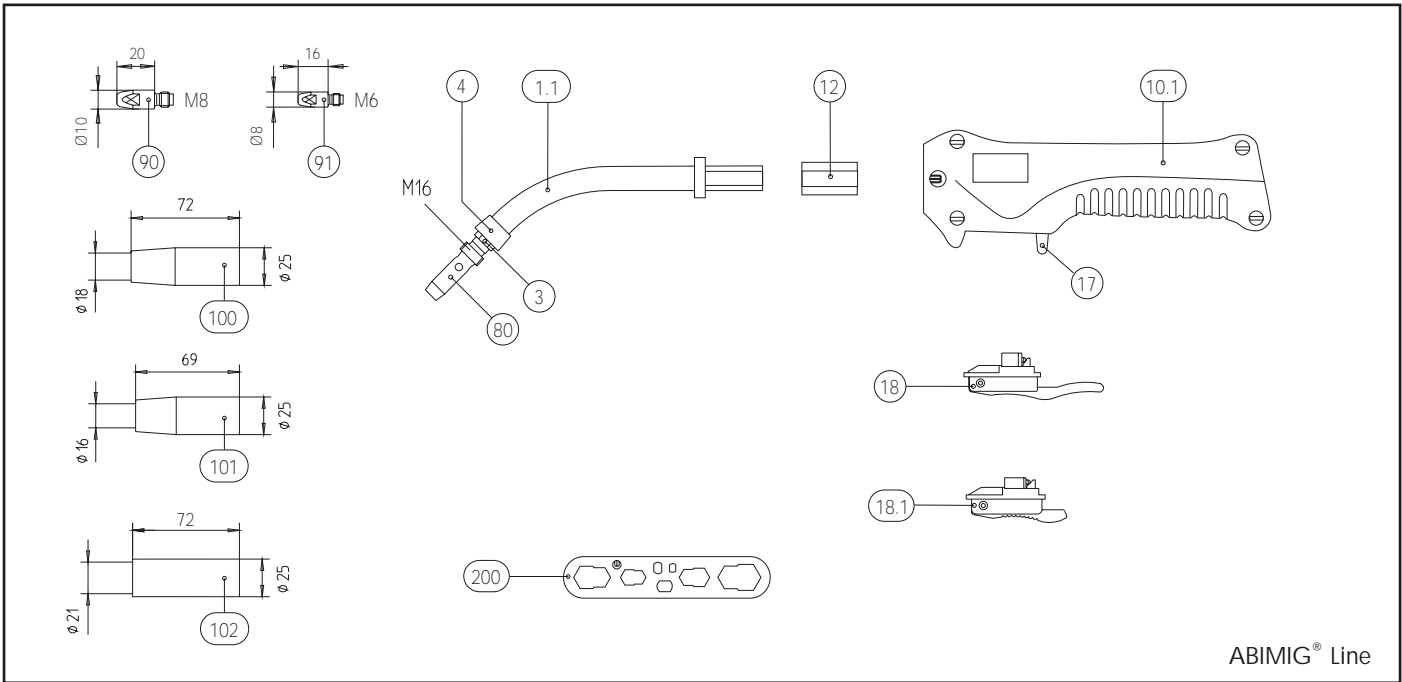
Rated using power source with VDE standard volt/amp characteristic ($U=14+0.05x$). When pulse welding, reduce rating by 35%.

Type	Version	3.00 m long	4.00 m long	5.00 m long
		Part no.	Part no.	Part no.
ABIMIG® 350 S	Swan neck 50° bent, fixed, metal jacket and handle S	767.D400	767.D407	767.D408
ABIMIG® 350 TM S*	Swan neck 45° bent, rotating, metal jacket and handle S	014.D584	014.D585	014.D586
ABIMIG® MT 350 0°	Machine torch neck, straight, fixed, metal jacket and handle tube	767.D410	767.D411	767.D412
ABIMIG® MT 350 45°	Machine torch neck 45° bent, fixed, metal jacket and handle tube	767.D413	767.D414	767.D415

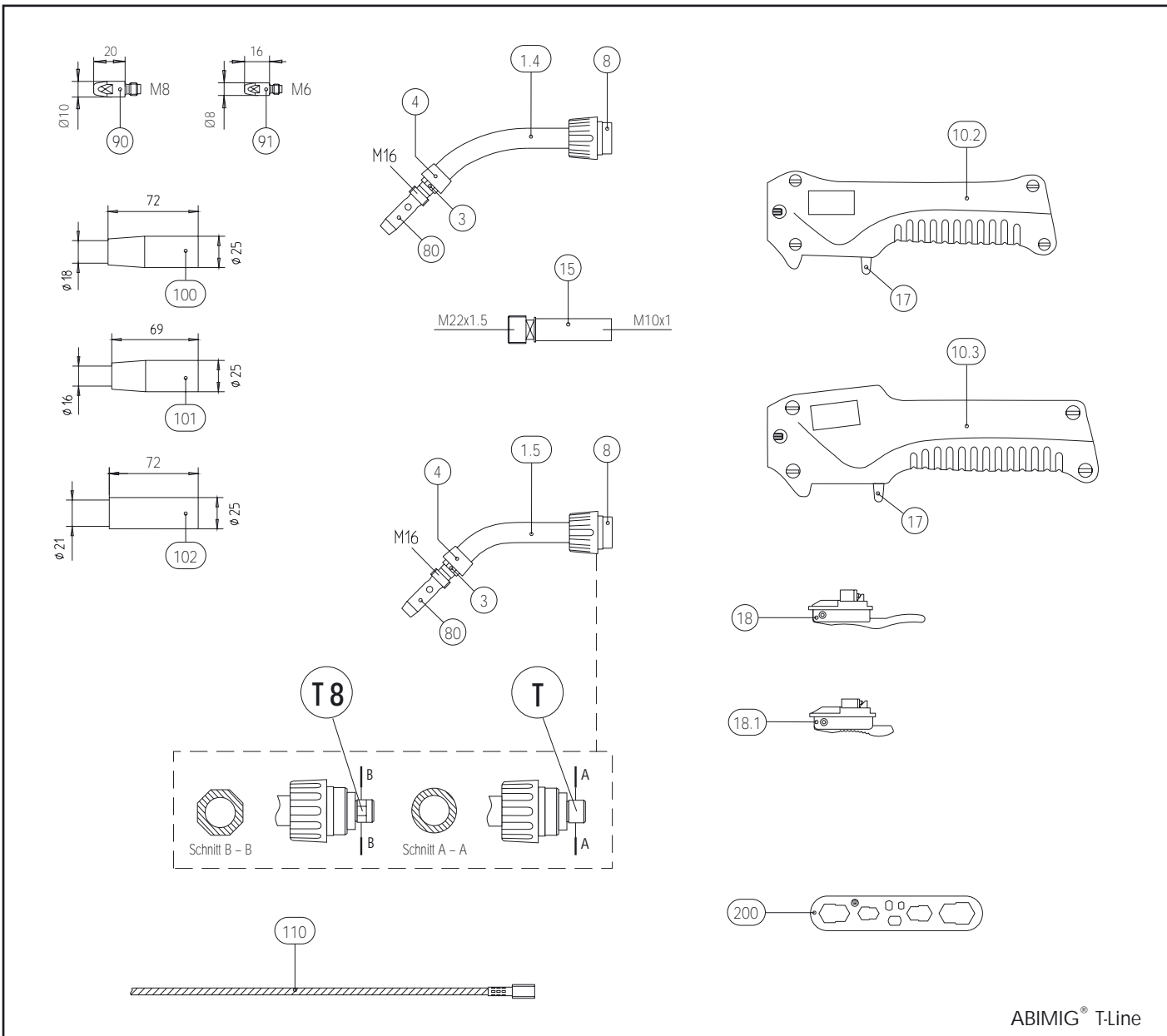
*Attention! Due to the manifold possible variations of ABIMIG® T in this table is shown only a preference torch. Different options are available according to the part list of this leaflet. Please state in your order verbally.

Welding & cutting brought to the point.

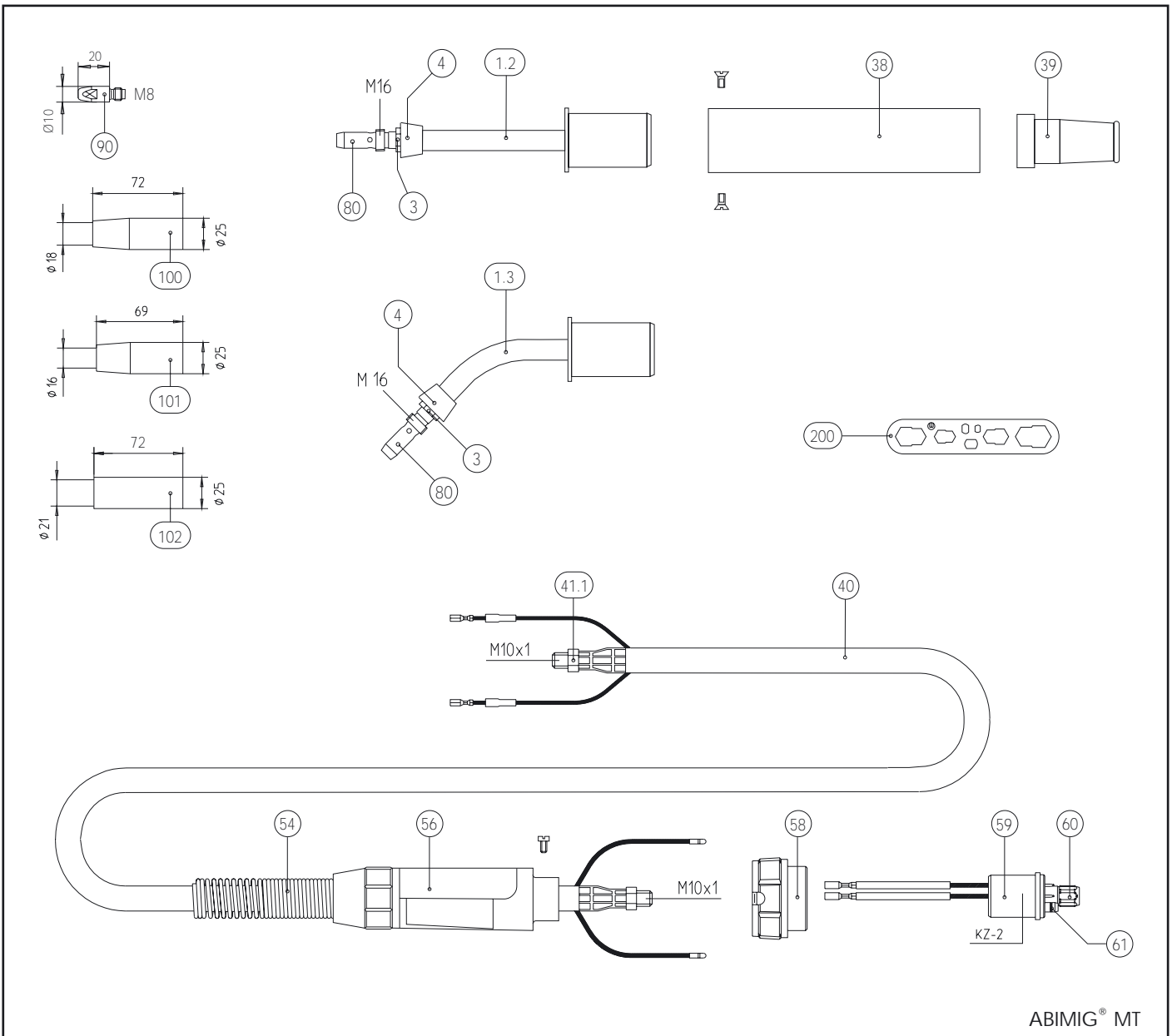
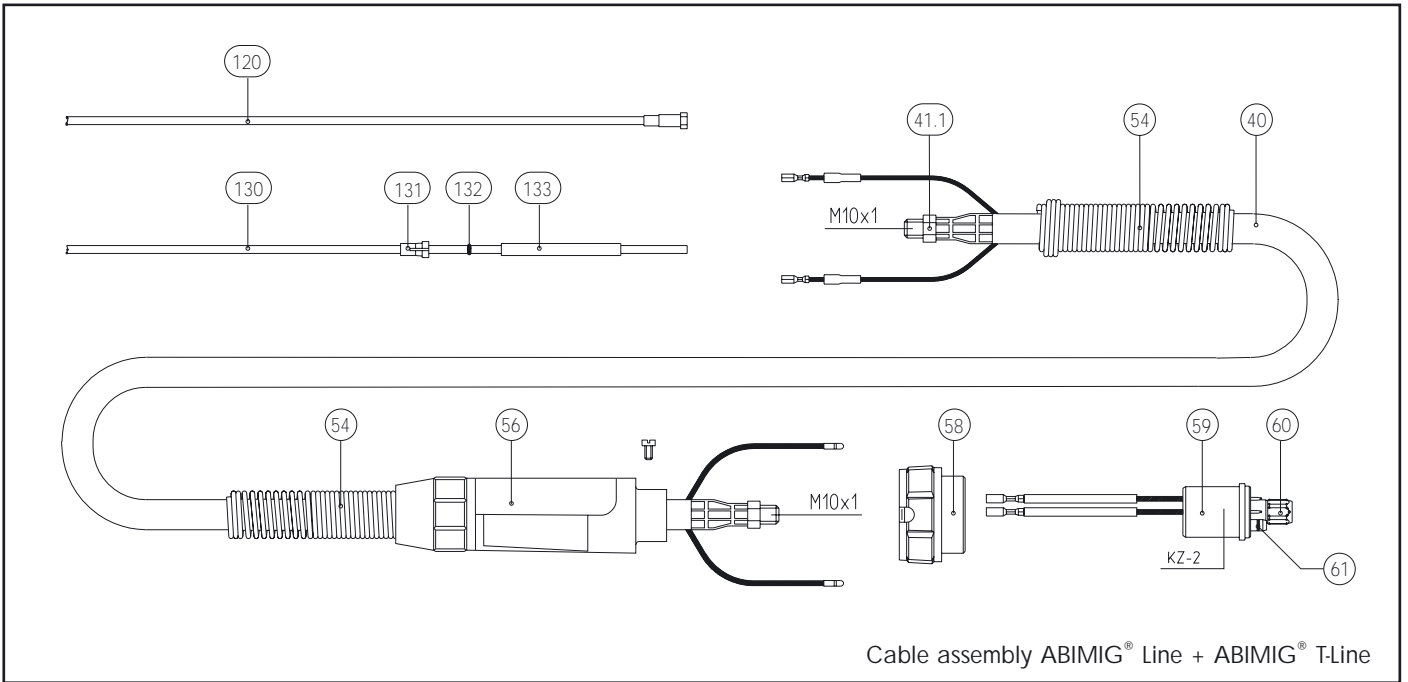




ABIMIG® Line



ABIMIG® T-Line



Subject to change without notice. Guarantee for Genuine BINZEL spares only.

Build group	Pos.	Description	Specifications	Part no.		
Torch	1.1	Swan neck ABIMIG® 350	for contact tip BINZEL M8 Pos. 90	767.D426 •		
		Swan neck ABIMIG® 350	for contact tip HAUFÉ M6 Pos. 91	767.D427		
	1.2	Swan neck ABIMIG® MT 350 0°	for contact tip BINZEL M8 Pos. 90	767.D416 •		
	1.3	Swan neck ABIMIG® MT 350 45°	for contact tip BINZEL M8 Pos. 90	767.D417 •		
	1.4		Swan neck ABIMIG® 350 T 45°	for contact tip BINZEL M8 Pos. 90	014.D782	
			Swan neck ABIMIG® 350 T8 45°	for contact tip BINZEL M8 Pos. 90	014.D791	
			Swan neck ABIMIG® 350 TM 45°	for contact tip BINZEL M8 Pos. 90	014.D786 •	
			Swan neck ABIMIG® 350 T8M 45°	for contact tip BINZEL M8 Pos. 90	014.D792	
			Swan neck ABIMIG® 350 T 45°	for contact tip HAUFÉ M6 Pos. 91	014.D815	
			Swan neck ABIMIG® 350 T8 45°	for contact tip HAUFÉ M6 Pos. 91	014.D790	
			Swan neck ABIMIG® 350 TM 45°	for contact tip HAUFÉ M6 Pos. 91	014.D816	
			Swan neck ABIMIG® 350 T8M 45°	for contact tip HAUFÉ M6 Pos. 91	014.D817	
		1.5		Swan neck ABIMIG® 350 T K45°	for contact tip BINZEL M8 Pos. 90	014.D727
				Swan neck ABIMIG® 350 T8 K45°	for contact tip BINZEL M8 Pos. 90	014.D798
			Swan neck ABIMIG® 350 TM K45°	for contact tip BINZEL M8 Pos. 90	014.D794	
			Swan neck ABIMIG® 350 T8M K45°	for contact tip BINZEL M8 Pos. 90	014.D802	
			Swan neck ABIMIG® 350 T K45°	for contact tip HAUFÉ M6 Pos. 91	014.D821	
			Swan neck ABIMIG® 350 T8 K45°	for contact tip HAUFÉ M6 Pos. 91	014.D819	
			Swan neck ABIMIG® 350 TM K45°	for contact tip HAUFÉ M6 Pos. 91	014.D818	
			Swan neck ABIMIG® 350 T8M K45°	for contact tip HAUFÉ M6 Pos. 91	014.D820	
	3	Counter nut M12x1 LH	10 pcs	018.D708		
	4	Spacer for metal jacket	10 pcs	766.D046		
		Spacer	10 pcs	018.D236		
8	Cap nut M22x1.5 for metal jacket		014.D25.			
	Cap nut M22x1.5		018.D762			
Handle	10.1	Handle S, cpl. for ABIMIG® Line		180.D034 •		
	10.2	Handle S, cpl. for ABIMIG® T-Line		180.D026 •		
	10.3	Handle V, cpl. for ABIMIG® T-Line		180.D024		
		Cover plate for Handle V		400.0359		
	12	Intermediate piece		400.0044		
	15	Swan neck mounting M22x1.5 with octagon junction		004.D299		
	17	Switch guard		400.D252		
	18	Trigger, long		185.D037 •		
	18.1	Trigger, short		185.D024		
	38	Handle tube AUT		180.D040		
	39	Cable support for BIKOX® B5-B6-B7		400.0099		
Cable assembly	40	BIKOX® R cable assembly B7	for 3.00 m	160.D434		
		BIKOX® R cable assembly B7	for 4.00 m	160.D435		
		BIKOX® R cable assembly B7	for 5.00 m	160.D436		
	41.1	Hexagonal nut M10x1		001.0009		
	54	Cable support spring dia 21		400.D205		
	56	Cable support, machine side		500.D035		
	58	Connecting nut		500.0213		
	59	Central adaptor plug KZ-2		501.0003		
	60	Nut M10 x1	10 pcs	501.0082		
	61	O-ring 4x1	20 pcs	165.0002		

Build group	Pos.	Description	Specifications	Part no.
Wear parts	80	Tip holder M16/M8/45 LH for contact tip BINZEL Pos. 90	10 pcs	018.D707
		Tip holder M16/M6/49 LH for contact tip HAUFE Pos. 91	10 pcs	018.D764
	90	Contact tip M8, E-Cu Ø 0.8	10 pcs	140.0114
		Contact tip M8, E-Cu Ø 1.0	10 pcs	140.0313
		Contact tip M8, E-Cu Ø 1.2	10 pcs	140.0442
		Contact tip M8, E-Cu Ø 1.4	10 pcs	140.0533
		Contact tip M8, CuCrZr Ø 1.0	10 pcs	140.0316
		Contact tip M8, CuCrZr Ø 1.2	10 pcs	140.0445 •
		Contact tip M8, CuCrZr Ø 1.4	10 pcs	140.0536
		Contact tip M8, CuCrZr Ø 1.6	10 pcs	140.0590
		Contact tip M8, E-Cu Ø 1.0 for Aluminium wire	10 pcs	141.0008
		Contact tip M8, E-Cu Ø 1.2 for Aluminium wire	10 pcs	141.0015
		Contact tip M8, E-Cu Ø 1.4 for Aluminium wire	10 pcs	141.0055
		Contact tip M8, E-Cu Ø 1.6 for Aluminium wire	10 pcs	141.0022
	91	Contact tip M6, E-Cu Ø 0.8	10 pcs	140.D101
		Contact tip M6, E-Cu Ø 1.0	10 pcs	140.D102
		Contact tip M6, E-Cu Ø 1.2	10 pcs	140.D103
		Contact tip M6, E-Cu Ø 1.4	10 pcs	140.D104
	100	Gas nozzle M16, dia 18 plated	10 pcs	145.D021 •
	101	Gas nozzle M16, dia 16 galvanisiert, short	10 pcs	145.D022
	102	Gas nozzle M16, dia 21 plated, calindrical	10 pcs	145.D024
		Gas nozzle M16, dia 18 bare, with prol insulation	10 pcs	145.D194
	110	Neck liner 2.0 for wire Ø 1.0-1.2	for ABIMIG® T-Line	122.D038
		Neck liner 2.5 for wire Ø 1.2-1.4	for ABIMIG® T-Line	122.D039 •
		Neck liner 2.7 for wire Ø 1.2-1.6	for ABIMIG® T-Line	122.D045
		Neck liner 1.6 brass for wire Ø 0.6-1.0	for ABIMIG® T-Line	122.D040
		Neck liner 2.2 brass for wire Ø 1.0-1.4	for ABIMIG® T-Line	122.D041
	120	Torch liner insulated 2.0/4.5 red with collet for wire Ø 1.0-1.2	for 3.00 m for 4.00 m for 5.00 m	124.0026 • 124.0031 • 124.0035 •
		Torch liner insulated 2.5/4.5 yellow with collet for wire Ø 1.4-1.6	for 3.00 m for 4.00 m for 5.00 m	124.0041 124.0042 124.0044
	130	Teflon liner 2.0/4.0 red with collet and O-ring for wire Ø 1.0-1.4	for 3.00 m for 4.00 m for 5.00 m	126.0021 126.0026 126.0028
		Teflon liner 2.7/4.7 yellow with collet and O-ring for wire Ø 1.6	for 3.00 m for 4.00 m for 5.00 m	126.0039 126.0042 126.0045

Build group	Pos.	Description	Specifications	Part no.
		Carbon teflon liner 2.0/4.0 with collet and O-ring for wire Ø 1.0-1.4	for 3.00 m for 4.00 m for 5.00 m	127.0005 127.0007 127.0008
		Carbon teflon liner 2.7/4.7 with collet und O-ring for wire Ø 1.6	for 3.00 m for 4.00 m for 5.00 m	127.0010 127.0012 127.0013
	131	Collet for core liner with outer diameter 4.0	20 pcs	131.0001
		Collet for core liner with outer diameter 4.7	20 pcs	131.0002
	132	O-ring 3.5x1.5	20 pcs	165.0008
	133	Guide tube with outer diameter 5.0 for core liners up to outer diameter 4.0	up to 200 mm	129.xxxx
	200	Spanner for ABIMIG®		191.D030

- Standard-equipment

Explanation of Encoding

ABIMIG® - Torches

ABIMIG® 350 S	Torch of series ABIMIG® range 350
ABIMIG® 350 TM S	Torch of series ABIMIG® T range 350

ABIMIG® - Machine torches

ABIMIG® MT 350 0°	} Machine torch ABIMIG® MT range 350
ABIMIG® MT 350 45°	

Swan necks

T	Neck exchange system; turnable and to be unfastened at any time
T8	Neck exchange system; fixable in 8 positions and to be unfastened at any time
TM	as T; but with metal jacket
T8M	as T8; but with metal jacket
K45°	Swan neck short 45° bent

Handle

Handle S	medium handle
Handle V	large handle with space for control modules

Welding & cutting brought to the point.



Alexander Binzel Schweisstechnik GmbH & Co. KG
P.O. Box 10 01 53 · D-35331 Giessen
Tel.: ++49 (0) 64 08 / 59-0
Fax: ++49 (0) 64 08 / 59-194
Internet: www.binzel-abicor.com