

Plasma Cutting Torches

**PSB 31 KZS /
PSB 31 HFS /
PSB 31 KKS,
air cooled**



BINZEL. The right cutting torch for every job!

BINZEL cutting torches incorporate the high quality and technology needed for trouble-free performance whatever the cutting job. All Binzel torches are constructed to the highest standards and offer the greatest working comfort.

BINZEL torch features:

- Optimum cooling of the torch – high life-time of wear parts
- Light and flexible cable assemblies – designed to reduce fatigue
- Robust construction for durability – extended torch life

Technical Data EN 50 192:

PSB 31 KZS / PSB 31 HFS / PSB 31 KKS

Rating

60% Duty cycle: 30 A DC

Gas supply:

Plasma and cooling gas

max. entering pressure: 3.5 - 4.5 bar

necessary volume current: 130 l/min

Gas flow

after stop: ca. 60 sec.

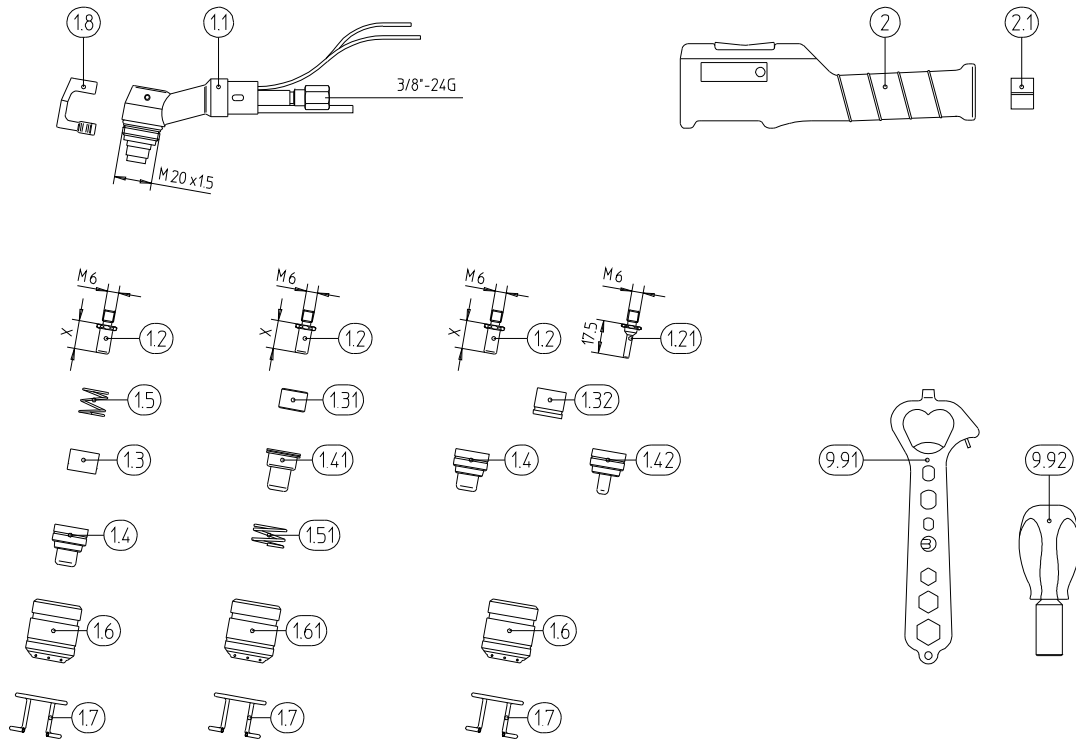
Igniting voltage: 7 kV

Cutting thickness: max. 10 mm, depending on material and machine

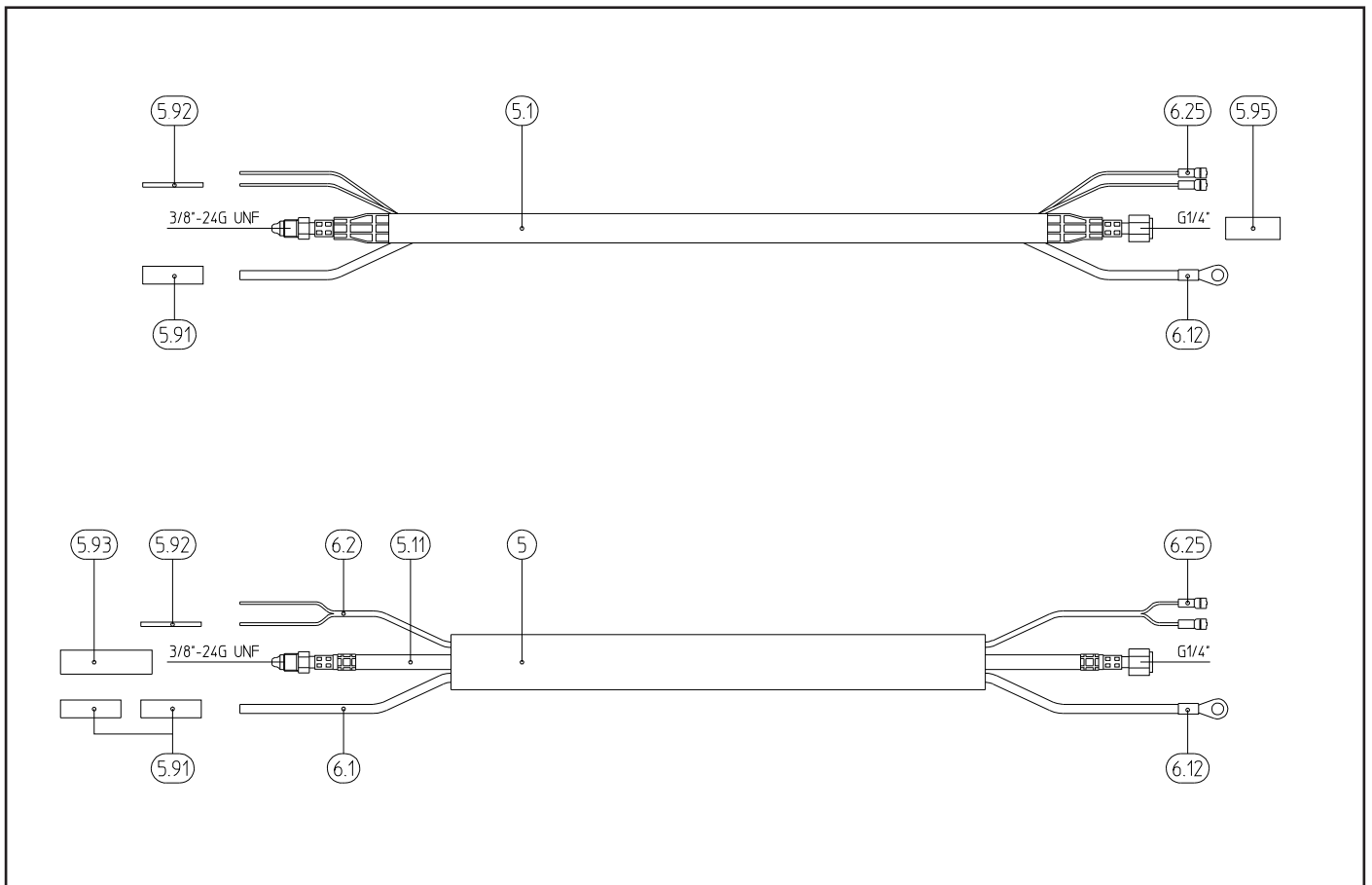
Type	Description	4.00 m long	6.00 m long
		Part no.	Part no.
PSB 31 KZS	Single gas / Ignition by contact	742.0046	742.0087
PSB 31 HFS	Single gas / Non-contact ignition	742.0109	742.0134
PSB 31 KKS	Single gas / Short-circuit ignition	742.0135	742.0136

Welding & cutting brought to the point.

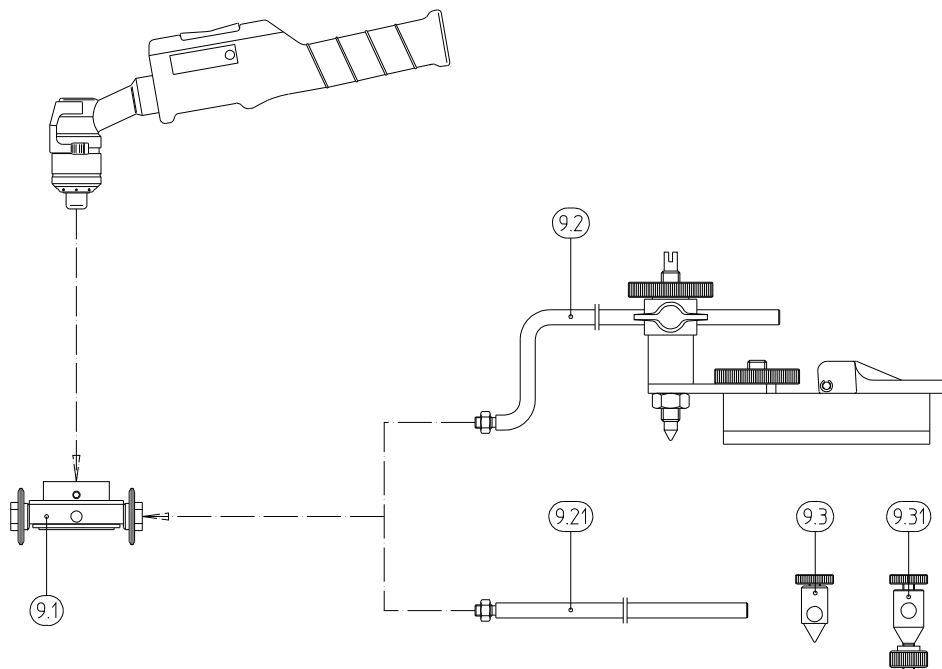




Build group	Pos.	Description	Specifications	Part no.
Torch body	1.1	Torch body PSB 31S		742.0104
Wear parts	1.2	Electrode (ZR), Dimension x= 15.0 mm, Ø 6.8 mm	10 pcs.	742.0015
		Electrode (ZR), Dimension x= 15.5 mm, Ø 6.8 mm Standard	10 pcs.	742.0016
	1.21	Electrode long PSB 31HFS	10 pcs.	744.0064
	1.3	Spring sleeve PSB 31KZS	10 pcs.	742.0025
	1.31	Insulating sleeve PSB 31HFS	10 pcs.	742.0038
	1.32	Insulating sleeve PSB 31KKS	10 pcs.	742.0082
	1.4	Plasma nozzle Ø 1.0 mm PSB 31KZS / PSB 31HFS	10 pcs.	742.0011
		Plasma nozzle Ø 1.2 mm PSB 31KZS / PSB 31HFS	10 pcs.	742.0026
	1.41	Plasma nozzle Ø 1.0 mm PSB 31KKS	10 pcs.	742.0083
		Plasma nozzle Ø 1.2 mm PSB 31KKS	10 pcs.	742.0105
	1.42	Plasma nozzle Ø 1.0 mm smal PSB 31HFS	10 pcs.	742.0030
	1.5	Spring PSB 31KZS	10 pcs.	744.0024
	1.51	Spring PSB 31KKS	10 pcs.	742.0084
1.6	Cap PSB 31KZS / PSB 31HFS	10 pcs.	742.0004	
1.61	Cap für PSB 31KKS	10 pcs.	742.0086	
1.7	Spring	10 pcs.	742.0089	
1.8	Safety clamp cpl.		742.0099	



Build group	Pos.	Description	Specifications	Part no.
Handle	2	Handle cpl.		742.0044
	2.1	Sleeve for handle PSB 31KZS / PSB 31KKS	10 pcs.	002.0064
		Sleeve for handle PSB 31HFS	10 pcs.	742.0185
		w/o. fig. Trigger		185.0010
Cable assembly	5	Outer cover Ø 16x1,25 für PSB 31HFS	per meter	110.0018
	5.1	Bikox-cable 8; 4 pol. for 4.00 m PSB 31KZS / PSB 31KKS		189.0001
		Bikox-cable 8; 4 pol. for 6.00 m PSB 31KZS / PSB 31KKS		189.0004
	5.11	Power cable 4.00 m PSB 31HFS		116.0178
		Power cable 6.00 m PSB 31HFS		116.0284
	5.91	Shrink hose Ø 6.40 mm	per meter	104.0012
	5.92	Shrink hose Ø 2.38 mm	per meter	104.0002
	5.95	Shrink hose Ø 12.70 mm PSB 31HFS	per meter	104.0009
	6.1	Pilot arc lead PSB 31HFS	per meter	100.0074
	6.12	Trigger wire connector M6, shielded	20 pcs.	175.0039
	6.2	Control cable 2 pol. PSB 31HFS	per Meter	100.0099
6.25	Trigger wire connector	20 pcs.	175.0049	



Build group	Pos.	Description	Specifications	Part no.
Accessories	9.1	Torch carriage 3PSB		742.0187
	9.2	Centering device cpl. consisting of: Vacuum fixture Centering device Extension arm bent, 500.0 mm long		743.0344 743.0050 743.0051 743.0052
	9.21	Extension arm straight, 250.0 mm long Extension arm straight, 440.0 mm long		743.0345 743.0346
	9.3	Extension arm holder with centre pin		743.0342
	9.31	Extension arm holder with thread		743.0343
	9.91	Multiple wrench	10 pcs.	191.0015
	9.92	Electrode wrench		743.0064

Warning:

When changing consumables or other jobs at the torch, always switch off the power source.

Welding & cutting brought to the point.



Alexander Binzel Schweißtechnik GmbH & Co. KG
P.O. Box 10 01 53 · D-35331 Gießen
Tel.: ++49 (0) 64 08 / 59-0
Fax: ++49 (0) 64 08 / 59-191
http: //www.binzel-abicor.com