

ABIROB® 350 GC Welding Torch



ABICOR BINZEL ...

... offers a unique welding torch, ABIROB® 350 GC, designed with compatible TCP (tool-center-point) geometry, and clamping area. The ABIROB® 350 GC welding torch is a direct replacement for Japanese style welding torches: OTC, PANASONIC, MOTO-MAN, FANUC. Modular construction allows quick replacement of swanneck and cable assembly without affecting the TCP. Significant cost savings are easily recognized by using ABICOR Binzel's long-life contact tips, and removable neck liners. ABICOR Binzel's rugged swanneck design, incorporated in the ABIROB® 350 GC torches, allows increased service life and repeatability.

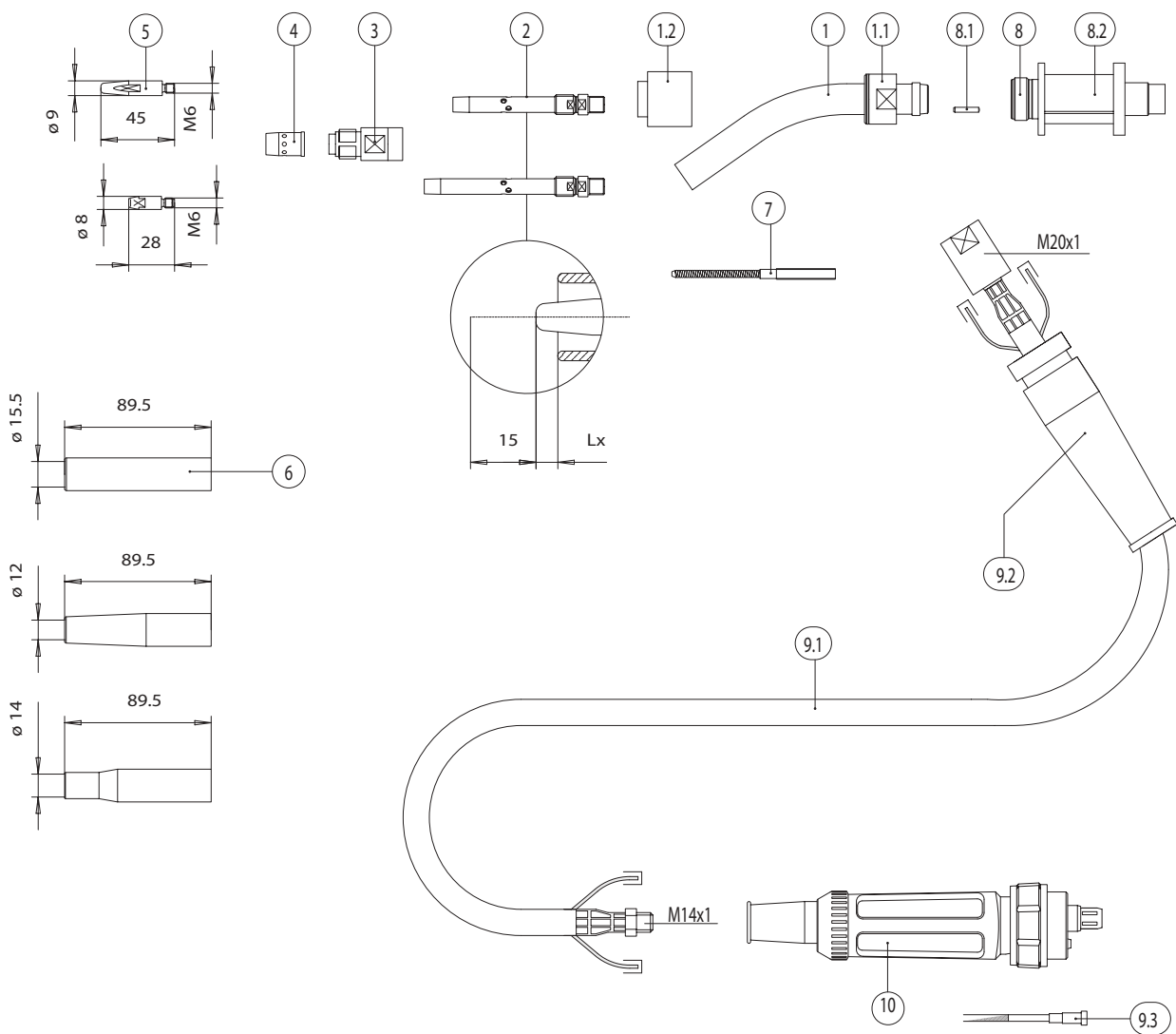
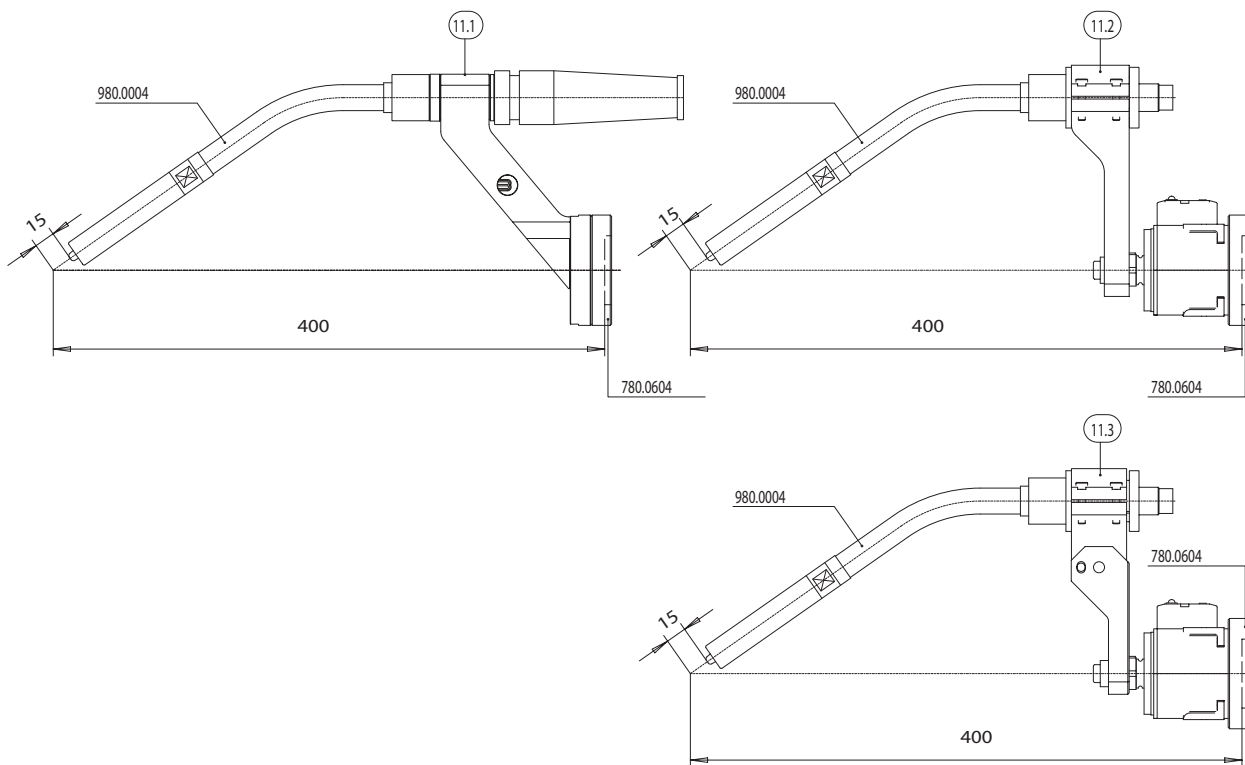
Quality spare parts are available world-wide through ABICOR Binzel's global distribution network.

Technical data (EN 60 974-7):

| | |
|----------------|-----------------|
| Rating: | 350 A |
| Duty cycle: | 100% |
| Wire sizes: | 0.8-1.2 mm |
| Shielding gas: | CO ₂ |

Welding & cutting brought to the point.

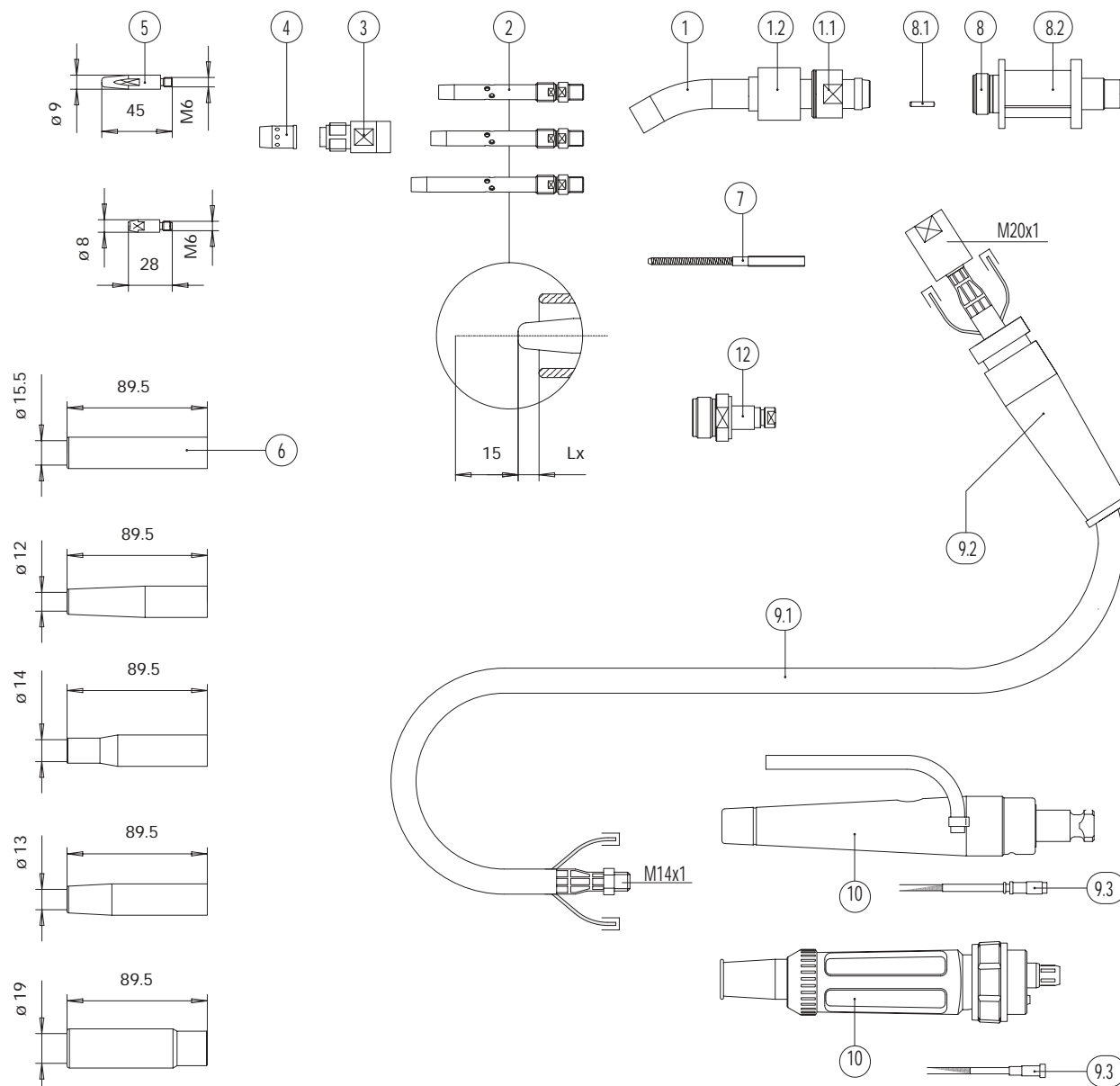
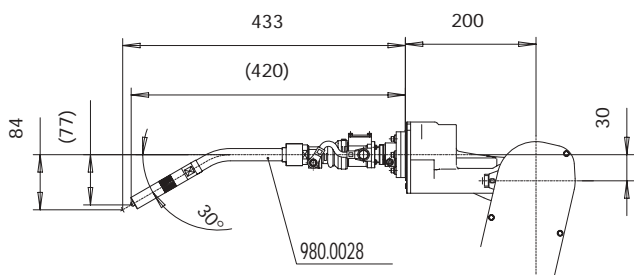
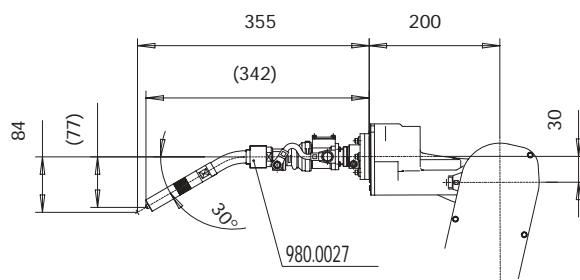
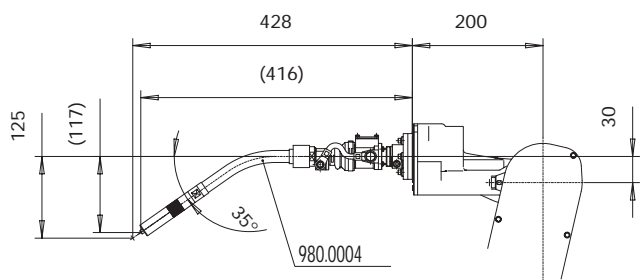




ABICOR BINZEL Standard

| Build group | Pos. | Description | Specifications | Order-no. |
|-----------------------|-------------|--|-----------------------|------------------|
| Torch neck | 1 | Torchneck ABIROB 350 GC 35° | | 980.0004 |
| Wear parts | 1.1 | Nut M26x1.5 mm | | 980.0014 |
| | 1.1 | O-ring 26x1 mm | | 165.0088 |
| | 1.2 | Cap | | 980.0013 |
| | 2 | Tip holder M6 / M10x1 / L=92.5 mm ¹⁾ ; Lx=5.0 mm | 10 pcs. | 142.0143 • |
| | | Tip holder M6 / M10x1 / L=110 mm ²⁾ ; Lx=5.5 mm | 10 pcs. | 142.0152 |
| | | ¹⁾ Contact tip M6 / L=45 mm ²⁾ Contact tip M6 / L=28 mm | | |
| | 3 | Nozzle sustainer M16x1.5 / TR 18x4 | | 980.0045 |
| | 4 | Gas diffusor | | 980.0019 |
| | 5 | Contact tip M6 CuCrZr; Ø 0.9 mm (.035"); L=45 mm | 10 pcs. | 140.1355 • |
| | | Contact tip M6 CuCrZr; Ø 1.0 mm (.040"); L=45 mm | 10 pcs. | 140.1356 • |
| | | Contact tip M6 CuCrZr; Ø 1.2 mm (.045"); L=45 mm | 10 pcs. | 140.1357 • |
| | | Contact tip M6 CuCrZr; Ø 0.9 mm (.035"); L=28 mm | 10 pcs. | 140.0054 |
| | | Contact tip M6 CuCrZr; Ø 1.0 mm (.040"); L=28 mm | 10 pcs. | 140.0245 |
| | | Contact tip M6 CuCrZr; Ø 1.2 mm (.045"); L=28 mm | 10 pcs. | 140.0382 |
| | 6 | Gas nozzle cyl. / ND15.5 mm / L=89.5 mm | 10 pcs. | 145.0557 • |
| | | Gas nozzle con. / ND12 mm / L=89.5 mm | 10 pcs. | 145.0558 |
| | | Gas nozzle bottle form / ND14 mm / L=89.5 mm | 10 pcs. | 145.0559 |
| | 7 | Neck-Liner for torch neck 980.0004 | | 980.0033 |
| | | Neck-Liner for neck / module | | 980.0034 |
| | 8 | Clamp module cpl. | | 980.0006 |
| | 8.1 | Location pin | | 063.0022 |
| | 8.2 | Insulation parts cpl. | | 980.0012 |
| Cable assembly | 9 | Cable assembly cpl; L=1.1 m incl. cable support, power cable, spiral liner and KZ-2 connector | | 980.0030 |
| | 9.1 | Power cable cpl; for L=1.1 m | | 160.0816 |
| | 9.2 | Cable support; torch side | | 400.D002 |
| | 9.3 | Spiral liner 1.9x5.5 mm / L=1.3 m | | 124.D081 |
| Options | 10 | Adaptor kit cpl. (KZ-2) | | 980.0077 |
| | 11.1 | I-Bracket (clamp module is integrated inside the bracket) | | 780.0183 |
| | 11.2 | Bracket (solid mount) | | 780.0309 |
| | 11.3 | Bracket (adjustable) | | 780.0310 |
| | | Torch mount MT 30 | | 780.0145 |
| Accessories | w/o fig. | Alignment jig suitable for torchneck 980.0004 The alignment jig allows off-line preventative maintanance while the robot continues to operate with another torch neck. | | 837.0551 |
| | w/o fig. | TCP check device suitable for the I-Bracket | | 780.0295 |

• = Standard wear parts



MOTOMAN Replacement

| Build group | Pos. | Description | Specifications | Order-no. |
|-------------------------|---|---|-----------------------|------------------|
| Torch neck | 1 | Torchneck ABIROB 350 GC 35° | | 980.0004 |
| | | Torchneck ABIROB 350 GC 30°; short | | 980.0027 |
| | | Torchneck ABIROB 350 GC 30°; long | | 980.0028 |
| Wear parts | 1.1 | Nut M26x1,5 mm | | 980.0014 |
| | 1.1 | O-ring 26x1 mm | | 165.0088 |
| | 1.2 | Cap | | 980.0013 |
| | 2 | Tip holder M6 / M10x1 / L=92.5 mm ¹⁾ ; Lx=5.0 mm | 10 pcs. | 142.0143 • |
| | | Tip holder M6 / M10x1 / L=97.5 mm ¹⁾ ; Lx=10.0 mm | 10 pcs. | 142.0144 |
| | | Tip holder M6 / M10x1 / L=110.0 mm ²⁾ ; Lx=5.5 mm | 10 pcs. | 142.0152 |
| | | ¹⁾ Contact tip M6/ L=45 mm ²⁾ Contact tip M6/ L=28 mm | | |
| | 3 | Nozzle sustainer M16x1.5 / TR 18x4 | | 980.0045 |
| | 4 | Gas diffusor | | 980.0019 |
| | 5 | Contact tip M6 CuCrZr; Ø 0.9 mm (.035"); L=45 mm | 10 pcs. | 140.1355 • |
| | | Contact tip M6 CuCrZr; Ø 1.0 mm (.040"); L=45 mm | 10 pcs. | 140.1356 • |
| | | Contact tip M6 CuCrZr; Ø 1.2 mm (.045"); L=45 mm | 10 pcs. | 140.1357 • |
| | | Contact tip M6 CuCrZr; Ø 0.9 mm (.035"); L=28 mm | 10 pcs. | 140.0054 |
| | | Contact tip M6 CuCrZr; Ø 1.0 mm (.040"); L=28 mm | 10 pcs. | 140.0245 |
| | | Contact tip M6 CuCrZr; Ø 1.2 mm (.045"); L=28 mm | 10 pcs. | 140.0382 |
| | 6 | Gas nozzle cyl. / ND15.5 mm / L=89.5 mm | 10 pcs. | 145.0557 • |
| | | Gas nozzle con. / ND12 mm / L=89.5 mm | 10 pcs. | 145.0558 |
| | | Gas nozzle bottle form / ND14 mm / 89.5 mm | 10 pcs. | 145.0559 |
| | | Gas nozzle con. / ND13 mm / L=89.5 mm | 10 pcs. | 145.0573 |
| | | Gas nozzle cyl. / ND19 mm / L=89.5 mm | 10 pcs. | 145.0579 |
| | 7 | Neck Liner (for wire Ø 0.9 – 1.2 mm) | | |
| | | For torch neck 980.0027 | | 980.0035 |
| | | For torch neck 980.0028 | | 980.0036 |
| For torch neck 980.0004 | | | 980.0033 | |
| | Neck-Liner for neck 980.0004 / module | | 980.0034 | |
| 8 | Clamp module cpl. | | 980.0006 | |
| 8.1 | Location pin | | 063.0022 | |
| 8.2 | Insulation parts cpl. | | 980.0012 | |
| Cable assembly | 9 | Cable assembly cpl; L=1.1 m | | |
| | | incl. cable support, power cable, spiral liner and PANASONIC connector | | 980.0029 |
| | | Cable assembly cpl; L=1.1 m | | |
| | | incl. cable support, power cable, spiral liner and KZ-2 connector | | 980.0030 |
| | 9.1 | Power cable cpl; for L=1.1 m | | 160.0816 |
| | 9.2 | Cable support; torch side | | 400.D002 |
| 9.3 | Spiral liner 1.9x5.5 mm / L=1.3 m (KZ-2) | | 124.D081 | |
| | Spiral liner 1.9x5.5 mm / L=1.3 m (Panasonic) | | 124.D070 | |
| Options | 10 | Adaptor kit cpl. (Panasonic) | | 980.0076 |
| | | Adaptor kit cpl. (KZ-2) | | 980.0077 |
| | 12 | Interface adaptor cpl. | | |
| | Direct connection to robot EA 1400/1900 | | 980.0044 | |

Info:

Replacement for UP and HP robots:

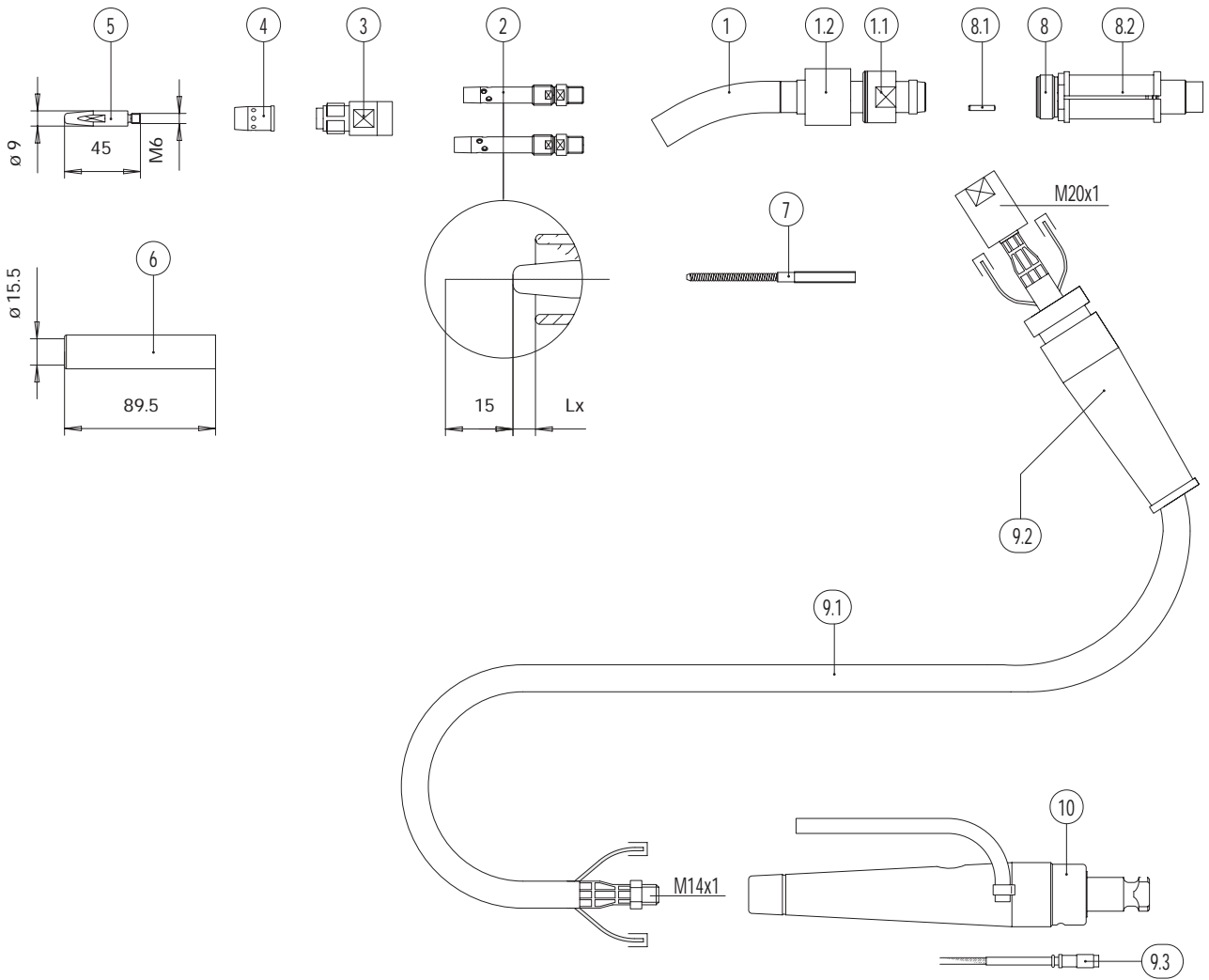
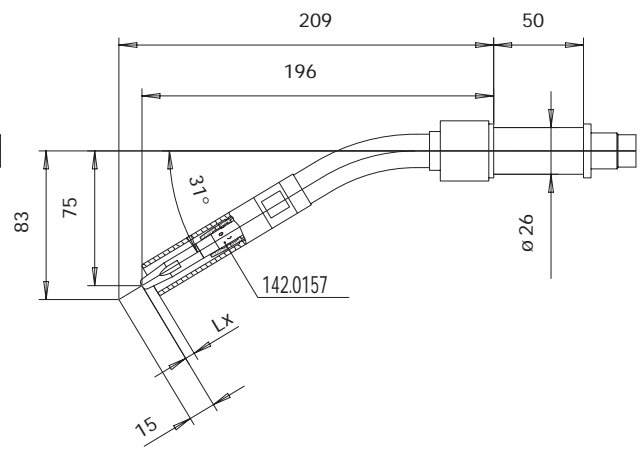
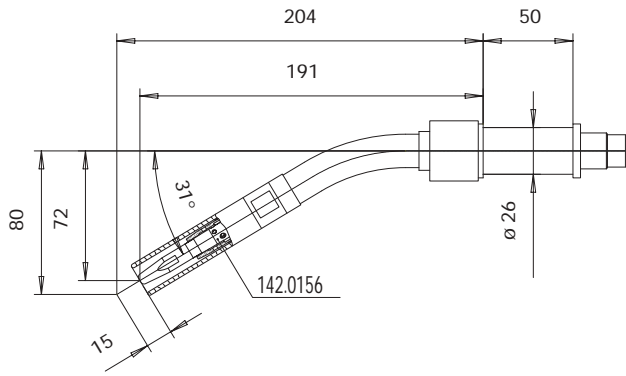
When YASKAWA torch mount is used, the needed components are:

- Torch neck 980.0004
- Module 960.0006

When torch mount CAT 2 is used, the needed components are:

- CAT 780.2XXX
- Bracket 780.0144
- Torch mount 780.0145
- Torch neck 980.0004
- Clamp module 980.0006

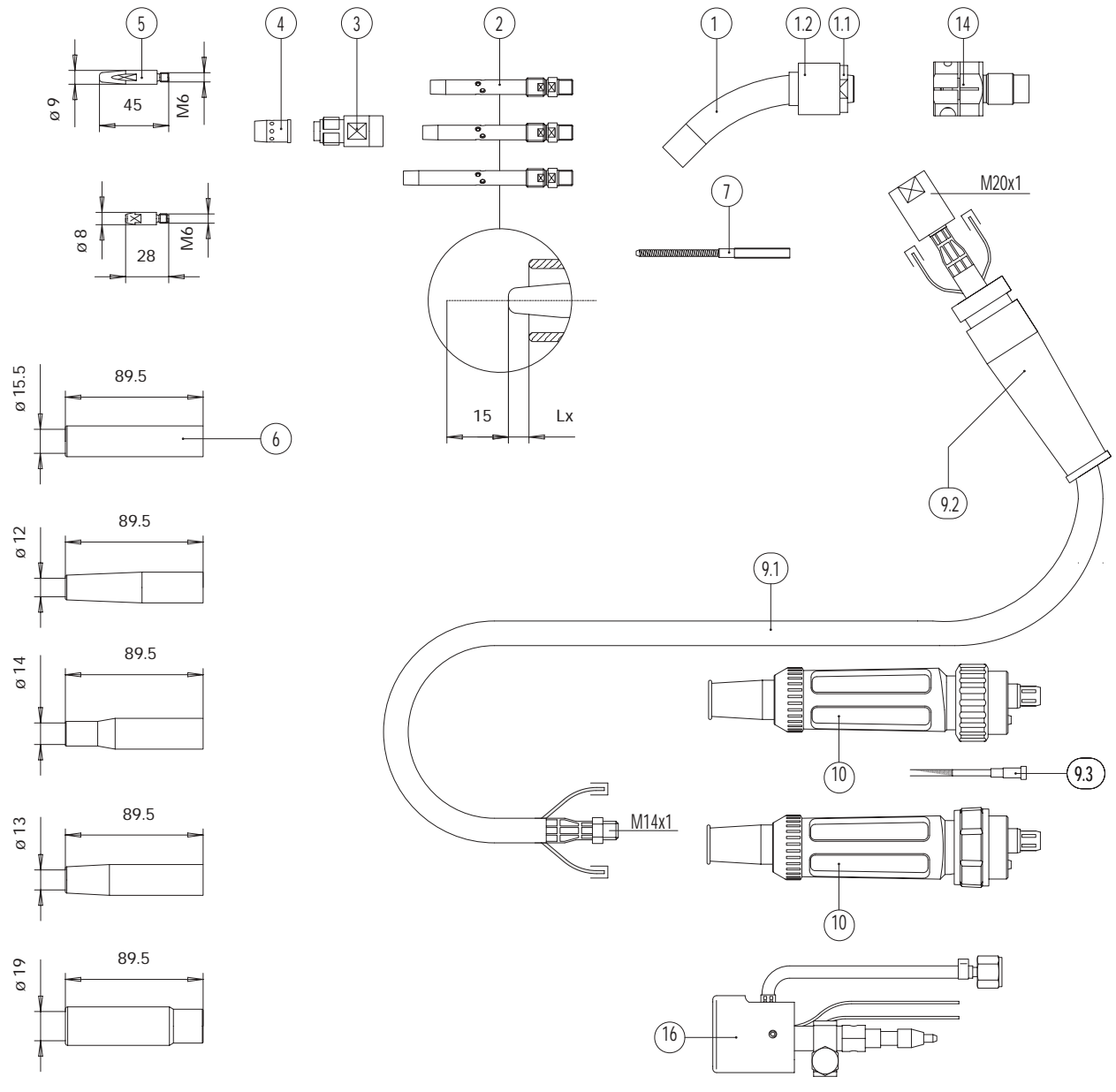
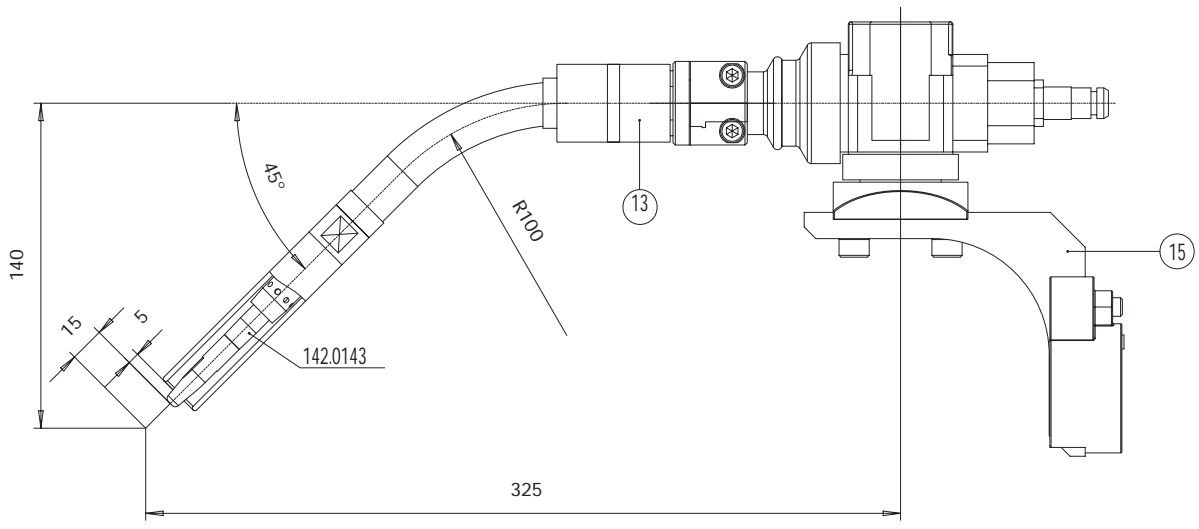
• = Standard wear parts



PANASONIC / FANUC Replacement

| Build group | Pos. | Description | Specifications | Order-no. |
|-----------------------|-------------|---|-----------------------|------------------|
| Torch neck | 1 | Torchneck ABIROB 350 GC 31° | | 980.0060 |
| Wear parts | 1.1 | Nut M26x1,5 mm | | 980.0014 |
| | 1.1 | O-ring 26x1 mm | | 165.0088 |
| | 2 | Tip holder M6 / M10x1 / L=71.0 mm; Lx=flush | 10 pcs. | 142.0156 |
| | | Tip holder M6 / M10x1 / L=76.5 mm; Lx=5.5 mm | 10 pcs. | 142.0157 • |
| | 3 | Nozzle sustainer cpl. M16x1.5 / TR 18x4 | | 980.0045 |
| | 4 | Gas diffuser | 10 pcs. | 980.0019 |
| | 5 | Contact tip M6 CuCrZr; Ø 0.9 mm (.035"); L=45 mm | 10 pcs. | 140.1355 • |
| | | Contact tip M6 CuCrZr; Ø 1.0 mm (.040"); L=45 mm | 10 pcs. | 140.1356 • |
| | | Contact tip M6 CuCrZr; Ø 1.2 mm (.045"); L=45 mm | 10 pcs. | 140.1357 • |
| | 6 | Gas nozzle cyl. / ND15.5 mm / L=89.5 mm | 10 pcs. | 145.0557 • |
| | 7 | Neck Liner (for wire Ø 0.9–1.2 mm) | | |
| | | For torch neck 980.0060 | | 980.0036 |
| | 8 | Clamp module | | 980.0063 |
| | 8.1 | Location pin | | 063.0022 |
| | 8.2 | Insulation parts cpl. | | 980.0012 |
| Cable assembly | 9 | Cable assembly cpl; L=1.1 m incl. cable support, power cable, spiral liner and PANASONIC connector | | 980.0029 |
| | 9.2 | Cable support; torch side | | 400.D002 |
| | 9.3 | Spiral liner 1.9x5.5 mm / L=1.3 m (Panasonic) | | 124.D070 |
| Options | 10 | Adaptor kit cpl. (Panasonic) | | 980.0076 |

• = Standard wear parts



OTC Replacement

| Build group | Pos. | Description | Specifications | Order-no. |
|-----------------------|------|---|----------------|------------|
| Torch neck | 1 | Torchneck ABIROB 350 GC 45° | | 980.0065 |
| Wear parts | 1.1 | Nut M26x1.5 mm | | 980.0014 |
| | 1.1 | O-ring 26x1 mm | | 165.0088 |
| | 1.2 | Cap | | 980.0013 |
| | 2 | Tip holder M6 / M10x1 / L=92.5 mm ¹⁾ ; Lx=5.0 mm | 10 pcs. | 142.0143 • |
| | | Tip holder M6 / M10x1 / L=97.5 mm ¹⁾ ; Lx=10.0 mm | 10 pcs. | 142.0144 |
| | | Tip holder M6 / M10x1 / L=110.0 mm ²⁾ ; Lx=5.5 mm | 10 pcs. | 142.0152 |
| | | ¹⁾ Contact tip M6/ L=45 mm ²⁾ Contact tip M6/ L=28 mm | | |
| | 3 | Nozzle sustainer cpl. M16x1.5 / TR 18x4 | | 980.0045 |
| | 4 | Gas diffusor | | 980.0019 |
| | 5 | Contact tip M6 CuCrZr; Ø 0.9 mm (.035"); L=45 mm | 10 pcs. | 140.1355 • |
| | | Contact tip M6 CuCrZr; Ø 1.0 mm (.040"); L=45 mm | 10 pcs. | 140.1356 • |
| | | Contact tip M6 CuCrZr; Ø 1.2 mm (.045"); L=45 mm | 10 pcs. | 140.1357 • |
| | | Contact tip M6 CuCrZr; Ø 0.9 mm (.035"); L=28 mm | 10 pcs. | 140.0054 |
| | | Contact tip M6 CuCrZr; Ø 1.0 mm (.040"); L=28 mm | 10 pcs. | 140.0245 |
| | | Contact tip M6 CuCrZr; Ø 1.2 mm (.045"); L=28 mm | 10 pcs. | 140.0382 |
| | 6 | Gas nozzle cyl. / ND15.5 mm / L=89.5 mm | 10 pcs. | 145.0557 • |
| | | Gas nozzle con. / ND12 mm / L=89.5 mm | 10 pcs. | 145.0558 |
| | | Gas nozzle bottle form / ND14 mm / L=89.5 mm | 10 pcs. | 145.0559 |
| | | Gas nozzle con. / ND13 mm / L=89.5 mm | 10 pcs. | 145.0573 |
| | | Gas nozzle cyl. / ND19 mm / L=89.5 mm | 10 pcs. | 145.0579 |
| | 7 | Neck liner for torch neck 980.0065 | | on inquiry |
| | | Neck liner for neck / module | | on inquiry |
| Cable assembly | 9 | Cable assembly cpl; L=1.1 m incl. cable support, power cable, spiral liner and OTC connector | | 980.0074 |
| | 9.2 | Cable support; torch side | | 400.D002 |
| | 9.3 | Spiral liner 1.9x5.5 mm / L=1.3 m (OTC) | | 124.D081 |
| Options | 10 | Adaptor kit cpl. (OTC) | | 980.0043 |
| | 13 | Neck attachment | | 980.0068 |
| | 14 | Cable adaptor | | 980.0071 |
| | 15 | L-Bracket | | 980.0072 |
| | 16 | OTC intermediate adaptor for CMR 231 to connect a KZ-2 cable assembly direct to a CMR 231 feeder system | | 501.2420 |

• = Standard wear parts

Notes:

Notes:

Welding & cutting brought to the point.



Alexander Binzel Schweisstechnik GmbH & Co. KG
P.O. Box 10 01 53 · D-35331 Giessen
Tel.: ++49 (0) 64 08 / 59-0
Fax: ++49 (0) 64 08 / 59-191
<http://www.binzel-abicor.com>