

# MIG/MAG Welding Torch System ROBO 241 D liquid cooled



BINZEL. The right welding torch for every job.

The welding torches belonging to this range of products are used for automatic arc-gas welding using both inert and active gases. They have a universal application and are suitable for all welding positions.

The standard unit is a liquid-cooled neck either straight or with a 22° or 45° bend with cable assembly with integral airblast hose and central adaptor for connection to the machine.

#### Technical data (EN 50 078):

ROBO 241 D

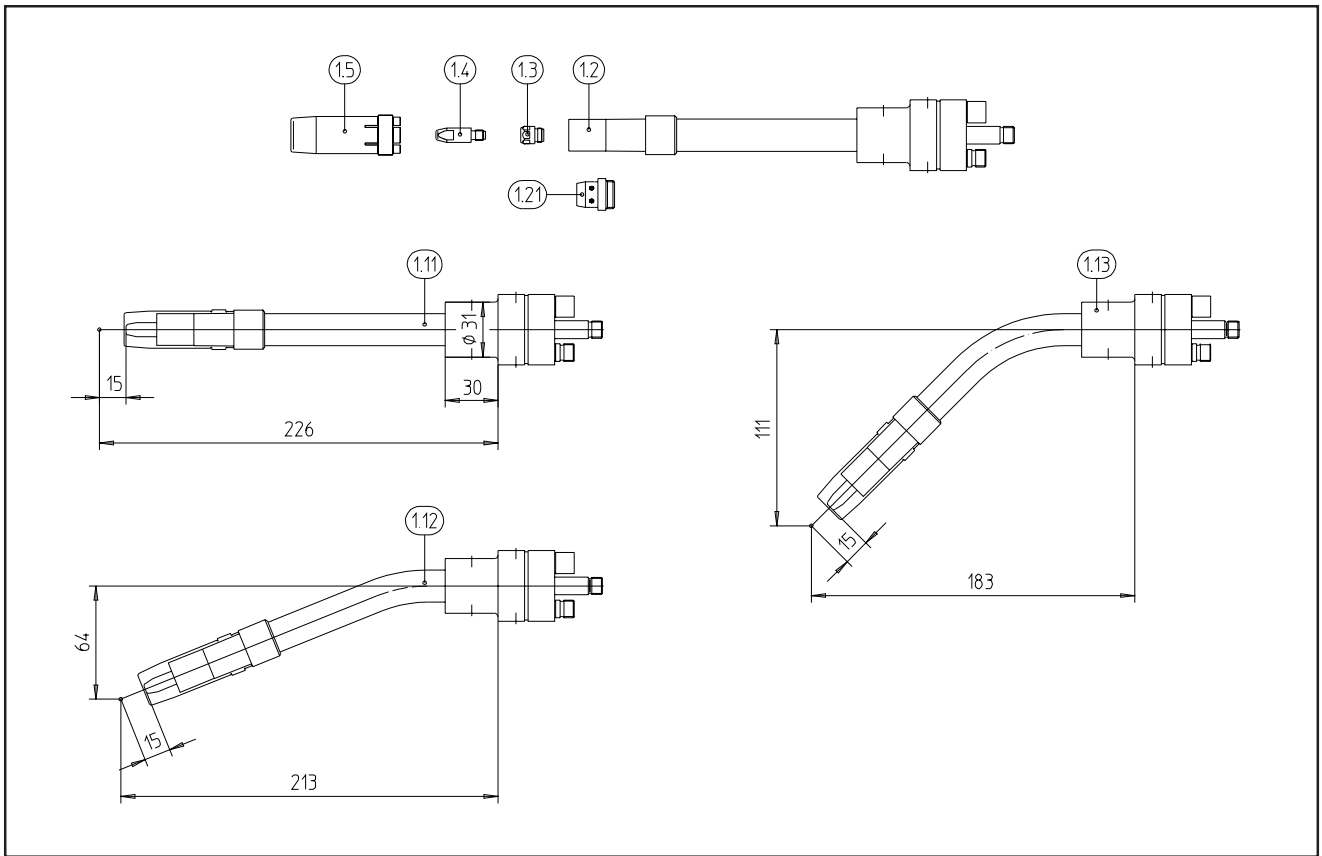
Rating: 320 A CO<sub>2</sub>  
280 A mixed gases 82/18  
DIN 32 562  
100% duty cycle

Wire sizes: 0.8-1.2 mm

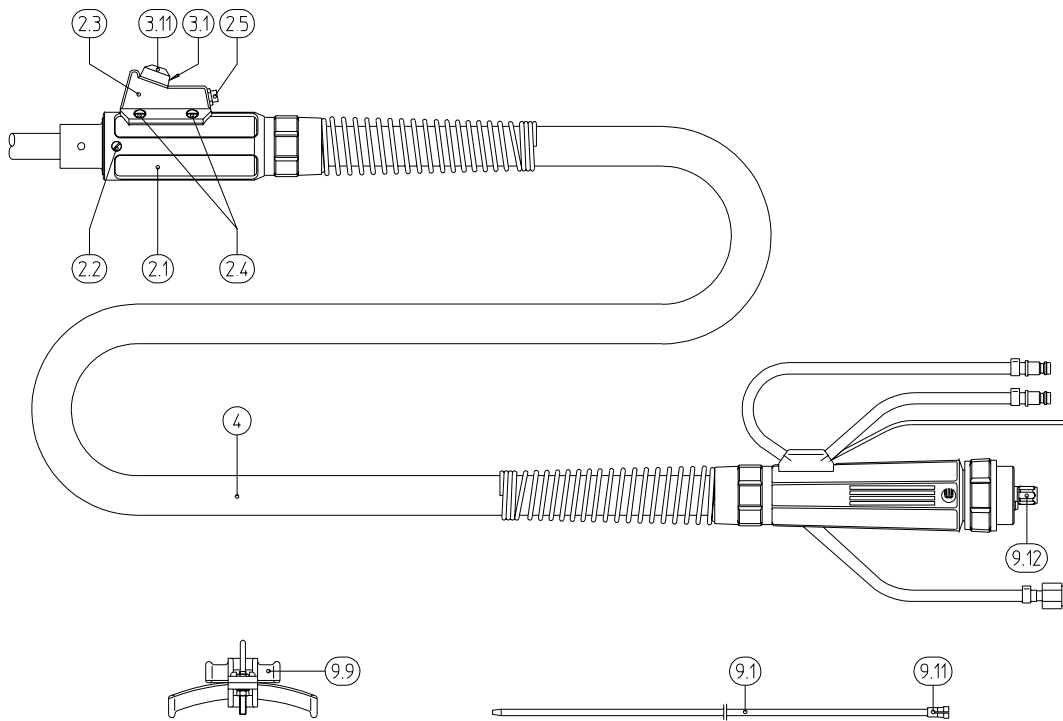
When pulse welding, reduce rating by 35%.

Welding & cutting brought to the point.





Build group	Pos.	Description	Specifications	Order-no.
<b>Swan neck</b>	1.11	Swan neck ROBO 241 D; straight		945.0057
	1.12	Swan neck ROBO 241 D; 22°		945.0058
	1.13	Swan neck ROBO 241 D; 45°		945.0059
<b>Wear parts</b>	1.2	Nozzle insulator (standard)	10 pcs.	146.0055
		Nozzle insulator high heat resistant	10 pcs.	146.0061
	1.21	Gas diffusor	10 pcs.	945.0039
	1.3	Tip adaptor M6-Bi 8/24, 13 mm	•	142.0121
	1.4	Contact tip M6 CuCrZr, Ø 0.8, 28 mm	10 pcs.	140.0054
		Contact tip M6 CuCrZr, Ø 0.9, 28 mm	10 pcs.	140.0172
		Contact tip M6 CuCrZr, Ø 1.0, 28 mm	• 10 pcs.	140.0245
		Contact tip M6 CuCrZr, Ø 1.2, 28 mm	10 pcs.	140.0382
		Contact tip M6 E-Cu, Ø 0.8 for alu. wire, 28 mm	10 pcs.	141.0001
		Contact tip M6 E-Cu, Ø 1.0 for alu. wire, 28 mm	10 pcs.	141.0006
		Contact tip M6 E-Cu, Ø 1.2 for alu. wire, 28 mm	10 pcs.	141.0010
	1.5	Gas nozzle NW 15.5, conical, 62 mm	• 10 pcs.	145.0090
		Gas nozzle NW 13.0, conical, 62 mm	10 pcs.	145.0135
		Gas nozzle NW 15.5, conical, 57 mm	10 pcs.	145.0472
		Gas nozzle NW 13.0, conical, 57 mm	10 pcs.	145.0473



Build group	Pos.	Description	Specifications	Order-no.
<b>Cable assembly ROBO</b>	2.1	Handle ROBO for incher housing		400.0158
	2.2	Screw	20 pcs.	000.0552
	2.3	Incher housing		400.0147
	2.4	Countersunk screw M4x6	20 pcs.	009.0201
	2.5	Panel mounted socket, 3-pole		175.0051
	3.1	Trigger 2-pole		185.0004
	3.11	Rubber boot		400.0165
	4	Cable assembly cpl. 3.00 m incl. air blast hose, WZ-2 and incher housing with:		
		Swan neck ROBO 241 D, straight	liquid cooled	945.0087
		Swan neck ROBO 241 D, 22°	liquid cooled	945.0088
		Swan neck ROBO 241 D, 45°	liquid cooled	945.0089
	9.1	Guide spiral liner blank Ø 1.5/4.0 with collet	for 3.00 m	122.0005
		Guide spiral liner blank Ø 2.0/4.5 with collet	• for 3.00 m	122.0031
		Guide spiral liner insulated Ø 1.5/4.5 blue with collet	for 5.00 m	124.0011
		Guide spiral liner insulated Ø 2.0/4.5 red with collet	for 5.00 m	124.0026
		Teflon core liner Ø 1.5/4.0 blue with collet and o-ring	for 3.00 m	126.0005
		Teflon core liner Ø 2.0/4.0 red with collet and o-ring	for 3.00 m	126.0021
	Carbon Teflon core liner Ø 1.5/4.0 with collet and o-ring	for 3.00 m	127.0002	
	Carbon Teflon core liner Ø 2.0/4.0 with collet and o-ring	for 3.00 m	127.0005	

Build group	Pos.	Description	Specifications	Order-no.
<b>Cable assembly ROBO</b>	9.11	Collet for core liner, Ø 4.0 mm	20 pcs.	131.0001
	9.12	Nut M10x1	10 pcs.	501.0082
		w/o. fig. O-ring Ø 3.5x1.5 mm		165.0008
		w/o. fig. Guide tube for core liners Ø 4.0 mm	up to 200 mm	129.0461
<b>Accessories</b>	9.9	Cable hanger		191.0039
		w/o. fig. Programming tip M6; TCP 15 mm		837.0107
		w/o. fig. Spanner	10 pcs.	191.0001
		w/o. fig. Sharpener for plastic liner		191.0064
		w/o. fig. Hose cutter		191.0062
		w/o. fig. Blades for hose cutter	10 pcs.	191.0063
		w/o. fig. Programming level for ROBO 241D		837.0045

### Order information

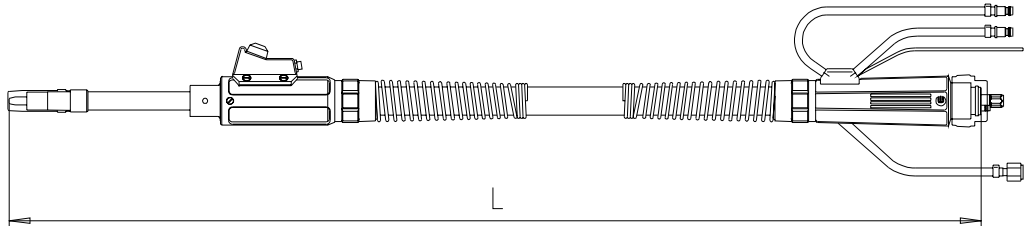
Control cable is supplied without connector, wire inching is realized by the 7-pole control cable.

Cable assemblies will be delivered full functional; with standard consumables. (see • marking inside)

When ordering ROBO 241 D , please specify:

- wire type
- wire diameter
- length of cable assembly

Other length of cable assembly on request.



Overall length L=3.30 m, with 3.0 m ROBO cable assembly

### Attaching the cable assembly to the robot

To ensure that the cable assembly is securely attached to the robot, please use the BINZEL ATS-CAT torch mount with suitable extensions and brackets to meet your TCP requirements.

Welding & cutting brought to the point.



Alexander Binzel Schweisstechnik GmbH & Co. KG  
P.O. Box 10 01 53 · D-35331 Giessen  
Phone: ++49 (0) 64 08 / 59-0  
Fax: ++49 (0) 64 08 / 59-194  
Internet: www.binzel-abicor.com