

ROBO WH Neck Alignment and Test Jig



ROBO WH Neck Alignment and Test Jig

The use of the ROBO WH Neck Alignment and Test Jig maximizes the full potential of the neck change system. It allows off-line preventative maintenance while the robot continues to

operate with another ROBO WH Swan-neck.

The ROBO WH Neck Alignment and Test Jig comes complete with an alignment lever, and sleeves for neck realign-

ment and geometry check.

Optional Accessory Kit can be added to the WH Neck Alignment Jig to test water flow, water leakage and gas

flow. Additionally, the gas channels can be cleaned by compressed air-blast.

Description

Alignment Jig WH241/455

Alignment Jig WH650

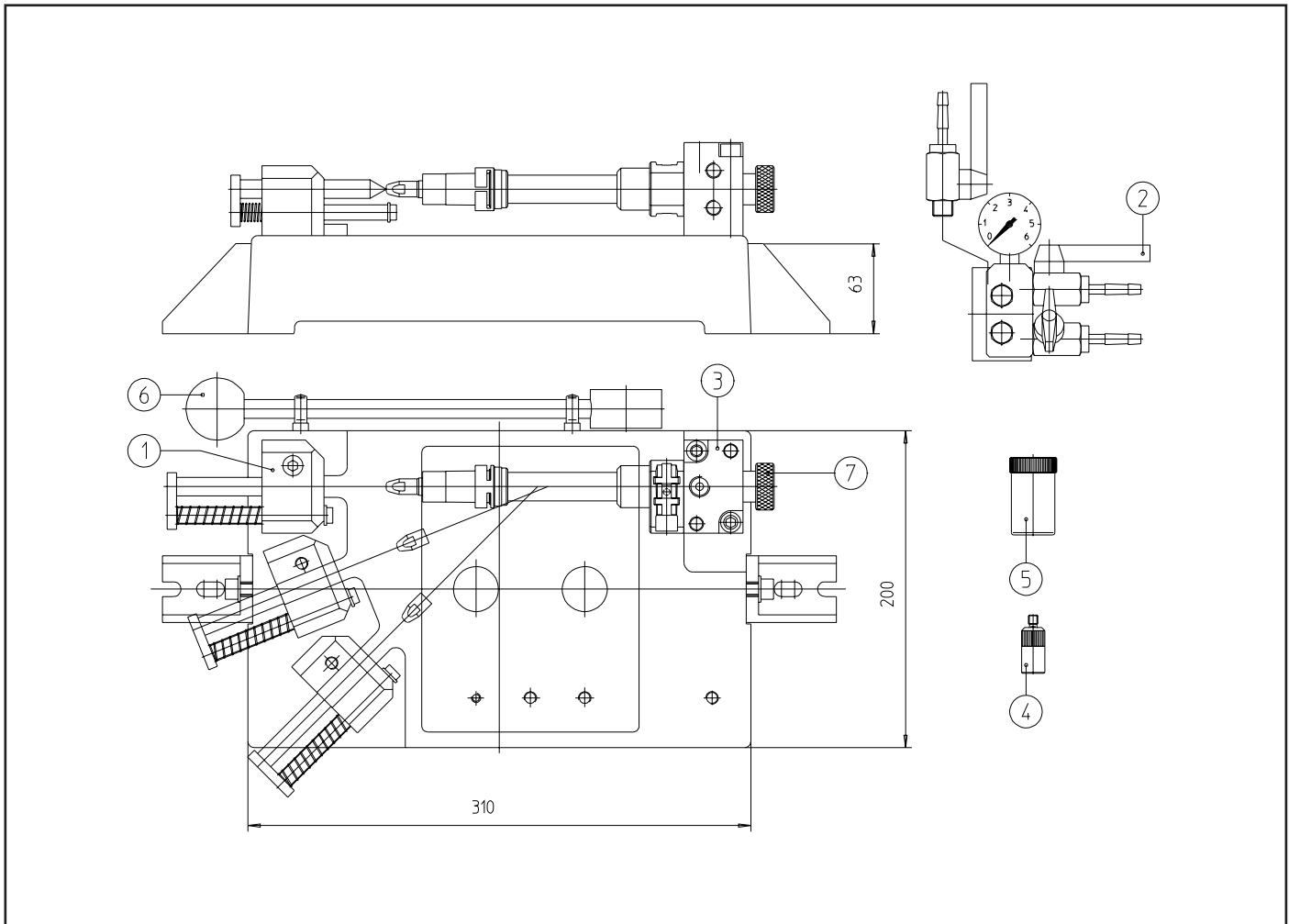
Order-Nr.

837.0020

837.0099

Welding & cutting brought to the point.





Group	Pos.	Description	Specifications	Part-Nr.
ROBO WH Neck Alignment and Test Jig		Alignment Jig WH241/455		837.0020
		Alignment Jig WH650		837.0099
	1	Guide Body WH241/455/650 (F/Align Jig)		837.0039
	2	Kit F/Water/Gas Test Align Jig	Optional	837.0031
	3	Holder Neck Align Jig		837.0023
	4	Sleeve Geometry Check M6 (F/Align Jig)		837.0052
		Sleeve Geometry Check M8 (F/Align Jig)		837.0051
	Sleeve Geometry Check M10 (F/Align Jig)		837.0101	
5	Sleeve Realignment WH241 (F/Align Jig)		837.0084	
	Sleeve Realignment WH455 (F/Align Jig)		837.0085	
	Sleeve Realignment WH650 (F/Align Jig)		837.0103	
6	Lever Align Jig		837.0083	
7	Knob Neck Holder Align Jig		837.0025	

Subject to change without notice • Guarantee for Genuine BINZEL Spares only.

Welding & cutting brought to the point.



Alexander Binzel Schweisstechnik GmbH & Co. KG
P.O. Box 10 01 53 • D-35331 Gießen
Tel.: ++49 (0) 64 08 / 59-0
Fax: ++49 (0) 64 08 / 59-141
Internet: www.binzel-abicor.com