

# Torch Cleaning Station BRS-LC



M & W

## “Stay clean!”

The BRS-LC has been designed for the use with most commonly found robotic torches. With high precision and efficiency, the BRS-LC cleans the interior of the gas nozzle inside the torch neck, increasing the working life of replacement parts.

A simple yet functional design principle, the BRS-LC ensures maximum elimination of spatter.

The speed and precision of the system reduces manual interference and also reduces robot downtime.

The main characteristics of the BRS-LC are:

- solid and compact construction
- precise fixation of the gas nozzle in the clamping head by means of 3-point-

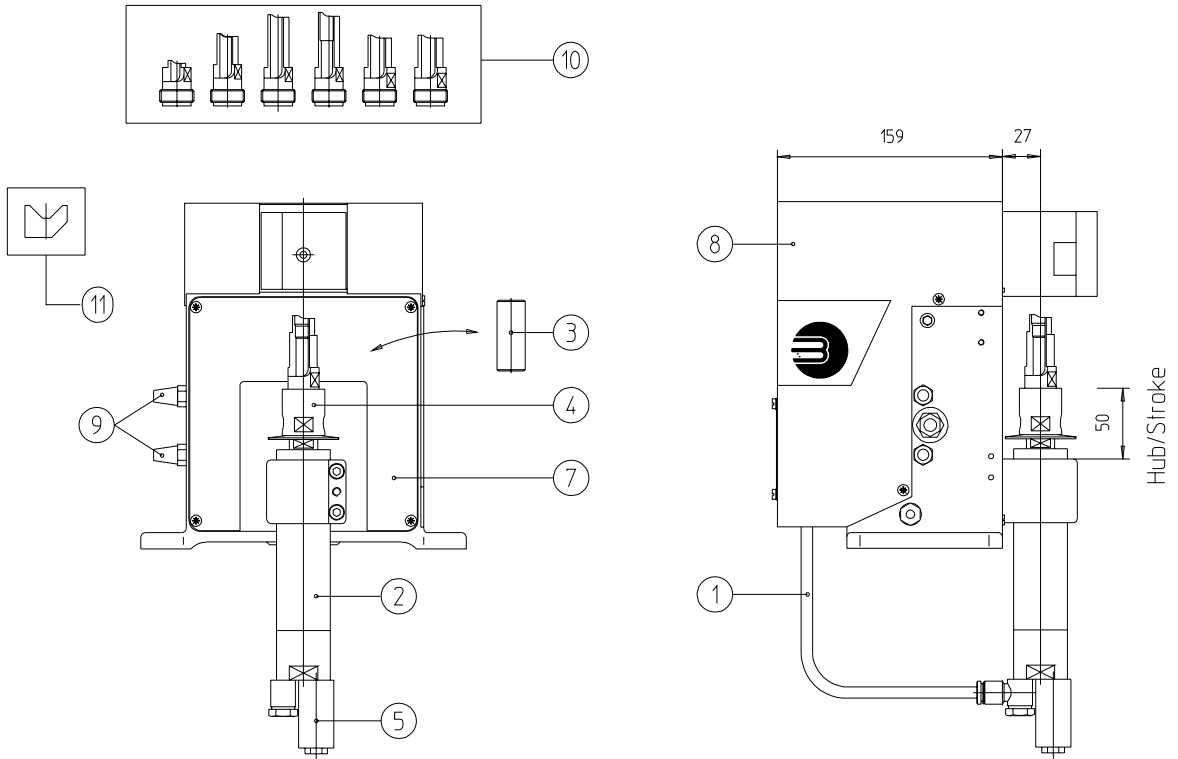
installation avoiding the transfer of unit stress to the robot axes

- interchangeable equipment allowing adaption to torch geometry

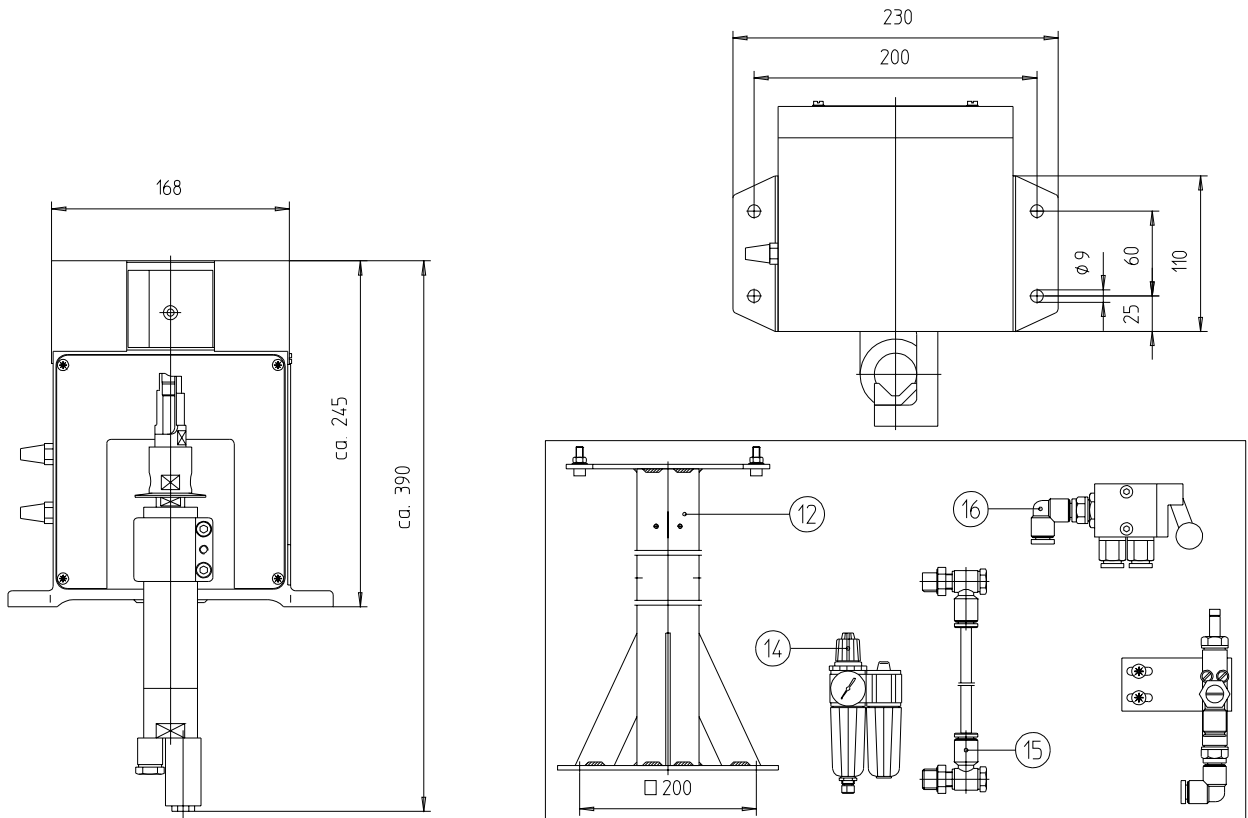
Welding & cutting brought to the point.



## Torch Cleaning Station BRS-LC



## Dimensions Torch Cleaning Station BRS-LC



Build group	Pos.	Description	Specifications	Ident-No.
<b>Torch Cleaning Station</b>		Torch Cleaning Station BRS-LC (please specify V-Block and reamer separately)		831.0300
	1	Air hose, black, Ø 6x1 mm		176.0004
	2	Air motor		831.0088
	3	Program gauge for reamers 15.5 mm		831.0036
		Program gauge for reamers 16.0-18.0 mm		831.0163
	4	Reamer holder		831.0139
	5	Silencer G3/8"		831.0419
		w/o fig. 5/2 way valve (specify Ident-no.)		834.XXXX
		w/o fig. Proximity switch, pnp M12x1		185.0039
		7	Cover front	
	8	Cover back		831.0302
	9	Silencer G 1/8"		839.0034
<b>Equipment</b>	10	Reamer for gas nozzle ND 13.0 (ROBO 241D/455D/WH-241D/455D)		831.0180
		Reamer for gas nozzle ND 13.0 (MWL-1WH/VTS-1CT)		831.0368
		Reamer for gas nozzle ND 15.5 (ROBO 24/25/241D/WH-241D)		831.0022
		Reamer for gas nozzle ND 15.5 (ROBO 455D/WH-455D)		831.0023
		Reamer for gas nozzle ND 16.0 (MWL-WH/VTS-CT)		831.0376
		Reamer for gas nozzle ND 17.0 (ROBO 650; WH-650)		831.0161
		Reamer for gas nozzle ND 18.0 (ROBO 650; WH-650)		831.0162
		Reamer for gas nozzle ND 19.0 (MWL-2WH/VTS-2CT)		831.0377
	11	V-Block for Ø 20.0 mm		831.0313
		V-Block for Ø 21.0 mm (ROBO 241D/WH-241D)		831.0314
		V-Block for Ø 22.0 mm (MWL-1WH/VTS-1CT)		831.0371
		V-Block for Ø 24.0 mm		831.0315
		V-Block for Ø 25.0 mm (ROBO 455D/WH-455D)		831.0316
		V-Block for Ø 26.0 mm (MWL-2WH/VTS-2CT)		831.0357
	V-Block for Ø 27.0 mm		831.0317	
	V-Block for Ø 28.0 mm		831.0318	
	V-Block for Ø 30.0 mm (ROBO 650/WH-650)		831.0319	
<b>Options</b>	12	Mounting stand		831.0285
	14	Air maintenance unit, cpl.		830.0075
	15	Mounting kit for Pos. 14		831.0322
	16	Injector (from outside), Add-on kit		832.0035
<b>Accessories</b>		w/o fig. Anti spatter fluid 1l		192.0056
		Anti spatter fluid 5l		192.0052
		Anti spatter fluid 20l		192.0048
		Anti spatter fluid 200l		192.0046
		w/o fig. Manual BRS-LC german/english/french/spanish		BAL.0030

# Torch Cleaning Station BRS-LC

## Technical Data:

### General

Dimensions:	see fig. 1
Weight:	approx. 10 kg
Ambient temperature:	+ 5° to 50°C
Protection acc. to DIN 40 050:	IP 21

### Pneumatic equipment

Air connection:	G 1/4"
Internal diameter:	min. ø 8 mm
Nominal pressure:	6 bar
Operating pressure:	5 to 8 bar
Nominal flow:	500 l/min.
Nominal speed of the motor:	300 r.p.m.

### Electrical equipment

2 inputs to:	5/2 way valve
Rated voltage:	24 V DC
Power consumption:	4.5 W
1 output from:	inductive proximity switch normally-closed contact (pnp)
Operating voltage:	10 to 30 V DC
Permitted residual ripple:	V <sub>ss</sub> < 10 %
Continuous current:	max. 200 mA
Current consumption:	approx. 4 mA (24 V)
Voltage drop:	approx. 1.2 V (200 mA)

Welding & cutting brought to the point.



Alexander Binzel Schweißtechnik GmbH & Co. KG  
P.O. Box 10 01 53 · D-35331 Gießen  
Tel.: ++49 (0) 64 08 / 59-0  
Fax: ++49 (0) 64 08 / 59-141  
Internet: [www.binzel-abicor.com](http://www.binzel-abicor.com)