

TIG

Welding Torch

AUT-WIG 20 G / 200 W / 400 W

air / liquid cooled



BINZEL. The right welding torch for every job!

BINZEL air and liquid cooled welding torches have the high quality and technology needed for trouble-free performance whatever the welding job.

All BINZEL torches are constructed to the highest standards and offer the greatest working comfort. This brochure defines in detail all the possible options for the above TIG torch types.

Technical Data:

AUT-WIG 20 G / 200 W / 400 W

Rating: 200 / 220 / 400 A DC
180 / 200 / 320 A AC

Tungsten electrode: \varnothing 0,5 - 3,2 / 0,5 - 3,2 /
0,5 - 4,0 mm

As each torch type has many variations, we cannot list them all here. Therefore, we indicate only one standard for each type of torch.

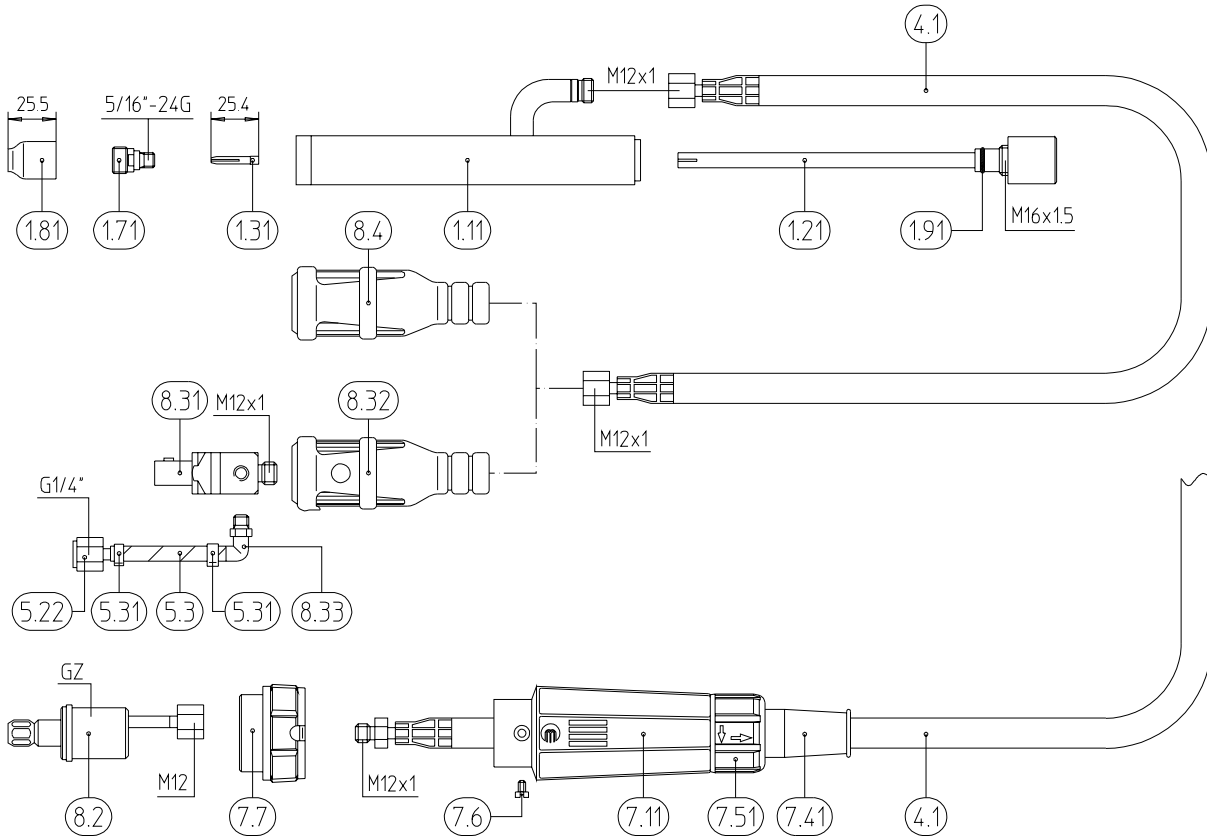
Type	Handle version	4,00 m long Part no.	8,00 m long Part no.
AUT-WIG 20 G	with single connection	791.0095*	791.0096*
AUT-WIG 200 W	with single connection	791.0082*	791.0083*
AUT-WIG 400 W	with single connection	791.0085*	791.0086*

* This part number is a sample, only, which refers to the mentioned „Standard version“. To other torch variations new order numbers will be given. See order confirmation.

Welding & cutting brought to the point.

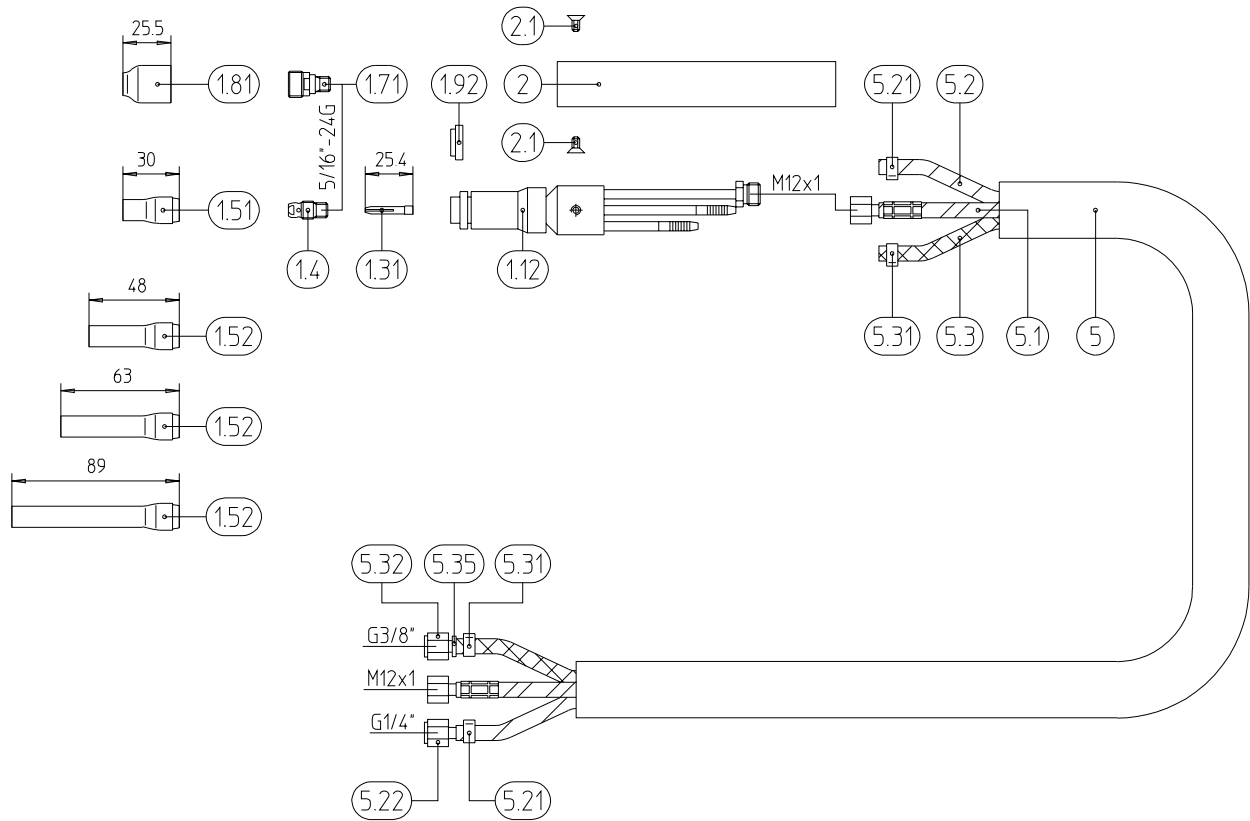


AUT-WIG 20 G



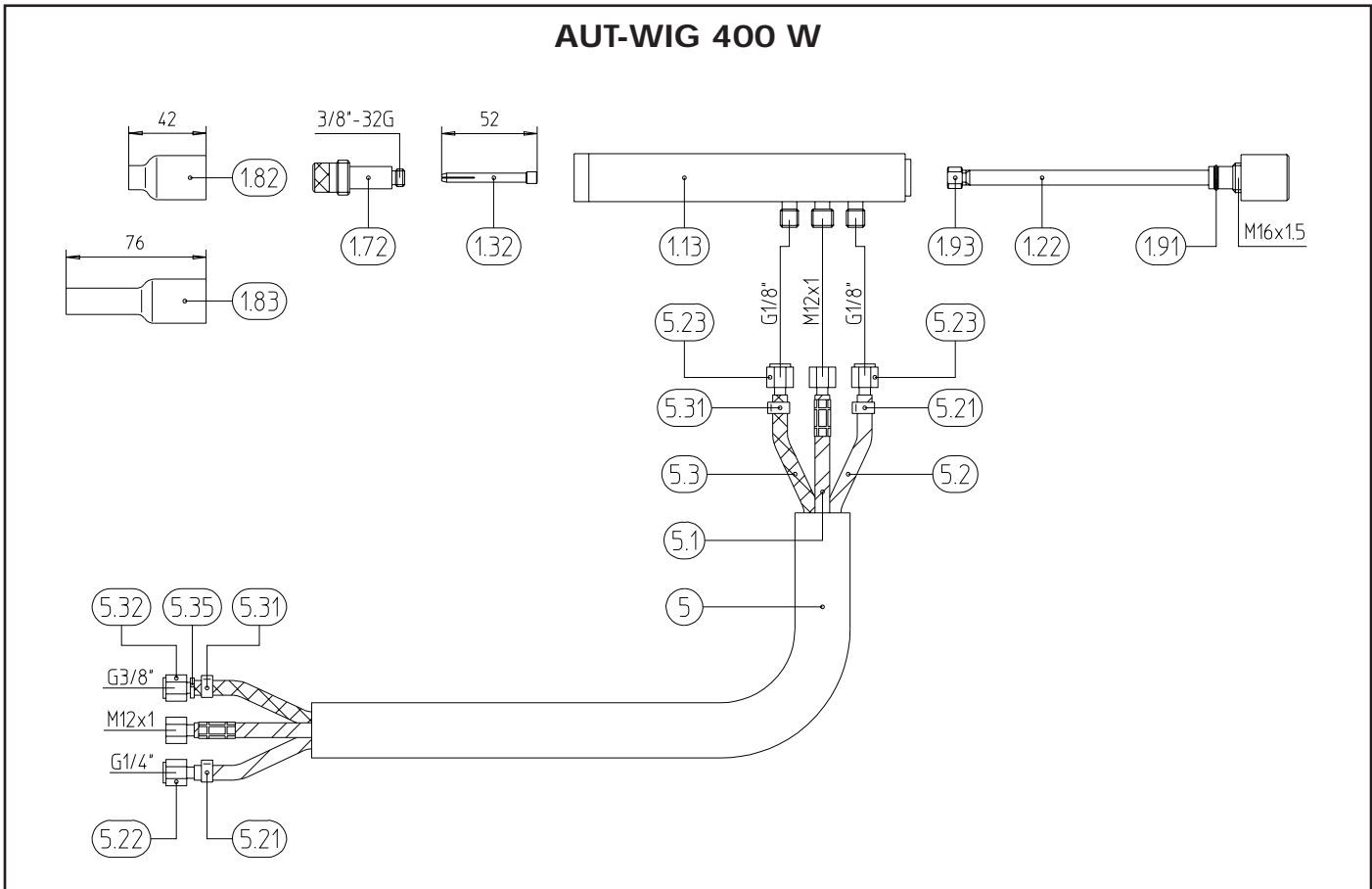
Build group	Pos.	Description	Specifications	Part no.	
Torch body	1.1	Torch body AUT-WIG 20 G with guide tube Torch body AUT-WIG 20 G without guide tube		791.0069 791.0079	
	1.2	Torch body AUT-WIG 200 W		791.0013	
	1.3	Torch body AUT-WIG 400 W with guide tube Torch body AUT-WIG 400 W without guide tube		791.0047 791.0063	
	1.21	Guide tube cpl. AUT-TIG 20 G		791.0078	
	1.22	Guide tube cpl. AUT-TIG 400 W		791.0062	
	1.91	O-ring 9x2	20 pcs.	165.0030	
	1.92	Insulator	10 pcs.	701.0269	
	1.93	Nut M8x0.75		791.0064	
	Wear parts	1.31	Collet 25.4 mm long for electrode- Ø 0.5 mm Collet 25.4 mm long for electrode- Ø 1.0 mm Collet 25.4 mm long for electrode- Ø 1.2 mm Collet 25.4 mm long for electrode- Ø 1.6 mm Collet 25.4 mm long for electrode- Ø 2.0 mm Collet 25.4 mm long for electrode- Ø 2.4 mm Collet 25.4 mm long for electrode- Ø 3.2 mm		701.0249 701.0250 701.0254 701.0251 701.0255 701.0252 701.0253
		1.32	Collet 52.0 mm long for electrode- Ø 0.5 mm Collet 52.0 mm long for electrode- Ø 1.0 mm Collet 52.0 mm long for electrode- Ø 1.2 mm Collet 52.0 mm long for electrode- Ø 1.6 mm Collet 52.0 mm long for electrode- Ø 2.0 mm Collet 52.0 mm long for electrode- Ø 2.4 mm Collet 52.0 mm long for electrode- Ø 3.2 mm Collet 52.0 mm long for electrode- Ø 4.0 mm		701.0169 701.0171 701.0170 701.0172 701.0176 701.0173 701.0174 701.0175

AUT-WIG 200 W



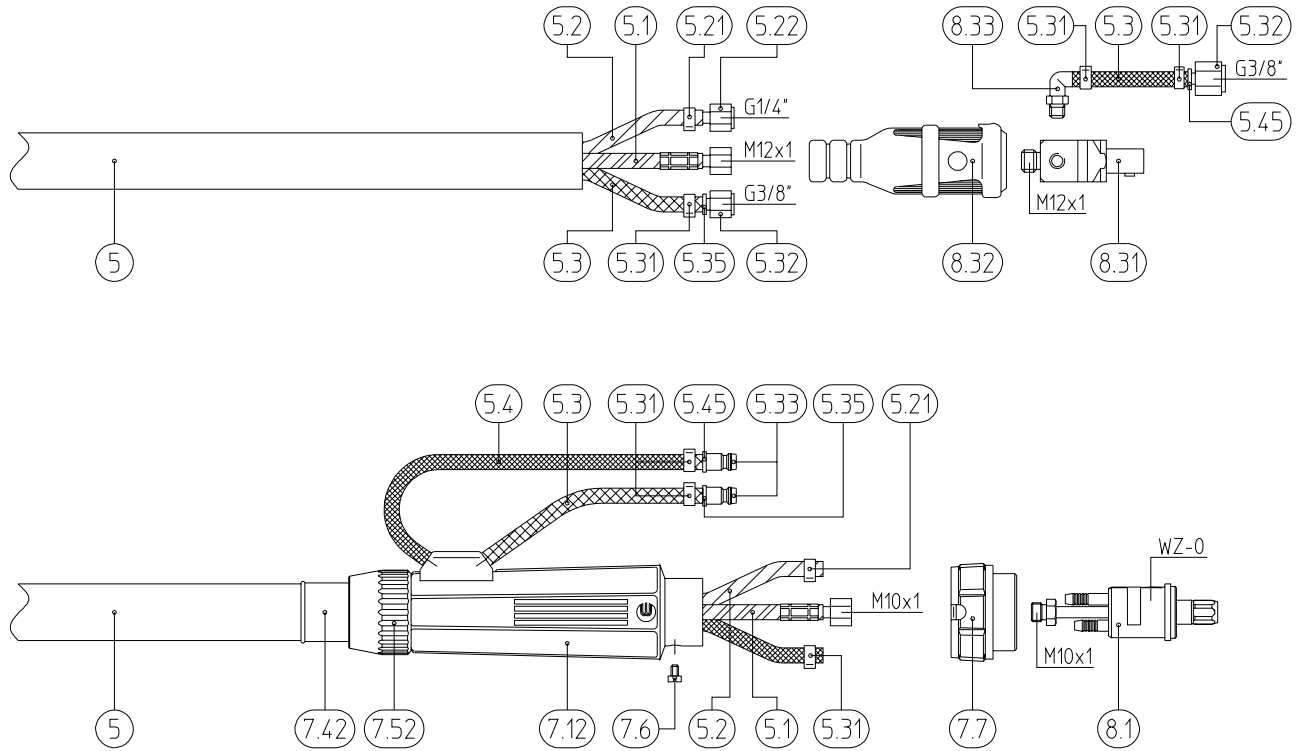
Build group	Pos.	Description	Specifications	Part no.	
Wear parts	1.4	Collet body for electrode- Ø 0.5-1.0 mm		701.0275	
		Collet body for electrode- Ø 1.2 mm		701.0279	
		Collet body for electrode- Ø 1.6 mm		701.0276	
		Collet body for electrode- Ø 2.0 mm		701.0280	
		Collet body for electrode- Ø 2.4 mm		701.0277	
		Collet body for electrode- Ø 3.2 mm		701.0278	
	1.51	Alumina cup, no. 4, Ø 6.5 mm, 30.0 mm long		701.0281	
		Alumina cup, no. 5, Ø 8.0 mm, 30.0 mm long		701.0282	
		Alumina cup, no. 6, Ø 9.5 mm, 30.0 mm long		701.0283	
		Alumina cup, no. 7, Ø 11.0 mm, 30.0 mm long		701.0284	
		Alumina cup, no. 8, Ø 12.5 mm, 30.0 mm long		701.0285	
		Alumina cup, no. 10, Ø 16.0 mm, 30.0 mm long		701.0286	
	1.52	Alumina cup, no. 4, Ø 6.5 mm, 48.0 mm long		701.0289	
		Alumina cup, no. 5, Ø 8.0 mm, 48.0 mm long		701.0290	
		Alumina cup, no. 6, Ø 9.5 mm, 48.0 mm long		701.0291	
		Alumina cup, no. 4, Ø 6.5 mm, 63.0 mm long		701.0293	
		Alumina cup, no. 5, Ø 8.0 mm, 63.0 mm long		701.0294	
		Alumina cup, no. 4, Ø 6.5 mm, 89.0 mm long		701.0296	
		Gas lens accessories			
	1.71	Collet body with gas lens for electrode- Ø 0.5-1.0 mm		701.0301	
		Collet body with gas lens for electrode- Ø 1.2 mm		701.0313	
		Collet body with gas lens for electrode- Ø 1.6 mm		701.0307	
		Collet body with gas lens for electrode- Ø 2.0 mm		701.0315	

AUT-WIG 400 W



Build group	Pos.	Description	Specifications	Part no.
Wear parts		Collet body with gas lens for electrode- Ø 2.4 mm		701.0309
		Collet body with gas lens for electrode- Ø 3.2 mm		701.0311
	1.72	Collet body with gas lens for electrode- Ø 1.0 mm		701.0201
		Collet body with gas lens for electrode- Ø 1.6 mm		701.0203
		Collet body with gas lens for electrode- Ø 2.4 mm		701.0207
		Collet body with gas lens for electrode- Ø 3.2 mm		701.0209
		Collet body with gas lens for electrode- Ø 4.0 mm		701.0211
	1.81	Alumina cup, no. 4, Ø 6.5 mm, 25.5 mm long		701.0317
		Alumina cup, no. 5, Ø 8.0 mm, 25.5 mm long		701.0318
		Alumina cup, no. 6, Ø 9.5 mm, 25.5 mm long		701.0319
		Alumina cup, no. 7, Ø 11.0 mm, 25.5 mm long		701.0320
	1.82	Alumina cup, no. 4, Ø 6.5 mm, 42.0 mm long		701.0420
		Alumina cup, no. 5, Ø 8.0 mm, 42.0 mm long		701.0421
		Alumina cup, no. 6, Ø 9.5 mm, 42.0 mm long		701.0422
		Alumina cup, no. 7, Ø 11.0 mm, 42.0 mm long		701.0423
	Alumina cup, no. 8, Ø 12.5 mm, 42.0 mm long		701.0424	
	Alumina cup, no. 12, Ø 19.5 mm, 42.0 mm long		701.0426	
1.83	Alumina cup, no. 5, Ø 8.0 mm, 76.0 mm long		701.0427	
	Alumina cup, no. 6, Ø 9.5 mm, 76.0 mm long		701.0428	
	Alumina cup, no. 7, Ø 11.0 mm, 76.0 mm long		701.0429	
Handle	2	Handle tube		791.0024
	2.1	Countersunk screw M5x10	20 pcs.	009.0195

AUT-WIG 200 W / AUT-WIG 400 W



Build group	Pos.	Description	Specifications	Part no.
Cable assembly	4.1	Power-gas cable for 4.00 m (Single connection/BSB) Power-gas cable for 8.00 m (Single connection/BSB) Power-gas cable for 4.00 m (GZ) Power-gas cable for 8.00 m (GZ)		163.0017 163.0018 163.0031 163.0054
	5	Outer cover rubber Ø 28x1.5	per meter	105.0032
	5.1	Power cable liquid-cooled for 4.00 m (Single connection/BSB) Power cable liquid-cooled for 8.00 m (Single connection/BSB) Power cable liquid-cooled for 4.00 m (WZ-0) Power cable liquid-cooled for 8.00 m (WZ-0)		116.0134 116.0136 116.0128 116.0130
	5.2	Hose 30 black Ø 4.5x1.5	per meter	109.0040
	5.21	Hose clamp Ø 8.7 mm	20 pcs.	171.0002
	5.22	Nut G 1/4" Nipple for G 1/4"		500.0082 500.0087
	5.23	Nut G 1/8" Nipple for G 1/8"		710.0014 500.0136
	5.3	Hose 22 black Ø 5.5x1.5	per meter	109.0032
	5.31	Hose clamp Ø 9.5 mm	20 pcs.	173.0002
	5.32	Nut G 3/8" Nipple for G 3/8"		500.0081 500.0083
	5.33	Quick connector	20 pcs.	501.0114
	5.35	Code colour ring blue	20 pcs.	501.2167
	5.4	Red water hose, cpl., with quick connector, 0.5 m		103.0100
	5.45	Code colour ring red	20 pcs.	501.2166

Build group	Pos.	Description	Specifications	Part no.
Cable assembly	7.11	Connecting case complete		500.0340
	7.12	Connecting case complete (Hose passage w/o hole)		500.0342
	7.41	Cable support		400.0100
	7.42	Cable support		500.0168
	7.51	Locking ring NW 31		400.0297
	7.52	Nut		400.0252
	7.6	Screw M4x6	20 pcs.	000.0552
	7.7	Nut		500.0213
	8.1	Central adaptor block WZ-0		501.0075
	8.2	Central adaptor block WIG-GZ		501.0039
	8.31	Power fitting		500.0060
	8.32	Rubber insulator		500.0141
	8.4	Rubber insulator		511.0098
	8.33	Hose fitting		500.0255

Welding & cutting brought to the point.



Alexander Binzel Schweisstechnik GmbH & Co. KG
 P.O. Box 10 01 53 · D-35331 Giessen
 Tel.: ++49 (0) 64 08 / 59-0
 Fax: ++49 (0) 64 08 / 59-194
 Internet: www.binzel-abicor.com