

# TIG Welding Torch SR 17 / SR 17 FX air cooled



BINZEL. The right welding torch for every job!

BINZEL air cooled welding torches have the high quality and technology needed for trouble-free performance whatever the welding job.

All BINZEL torches are constructed to the highest standards and offer the greatest working comfort. This brochure defines in detail all the possible options for the above TIG torch types.

#### Technical Data (EN 50 078):

SR 17 / SR 17 FX

Rating: 140 A DC  
125 A AC

Tungsten electrode:  $\varnothing$  0,5 - 2,4 mm

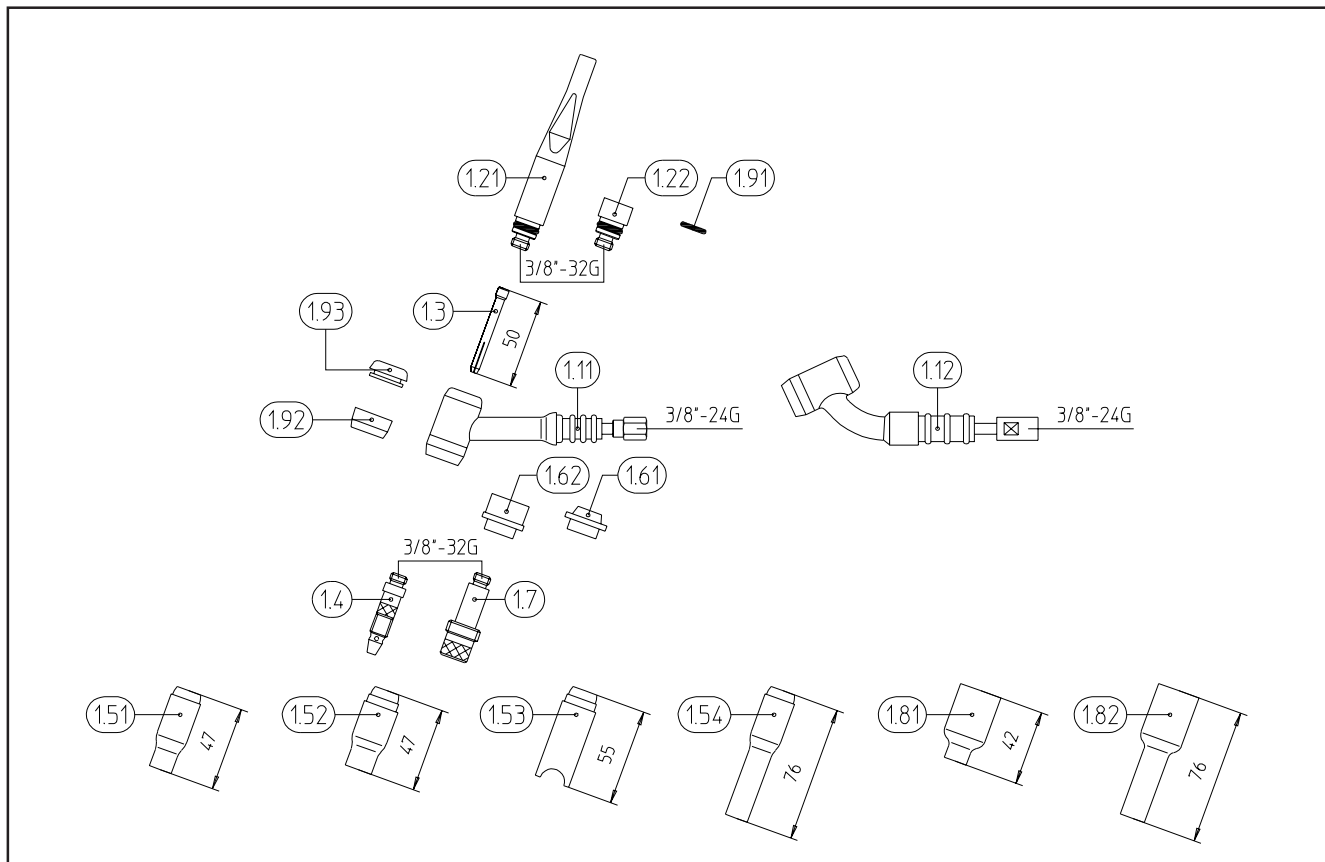
As each torch type has very many variations, we cannot list them all here. Therefore, we indicate only one standard for each type of torch.

Type	Handle version	4,00 m long Part no.	8,00 m long Part no.
SR 17	with single connection, single action switch and 3-pole Tichel connector	705.0145*	705.0146*
SR 17 FX	with single connection, single action switch and 3-pole Tichel connector	703.0142*	703.0026*

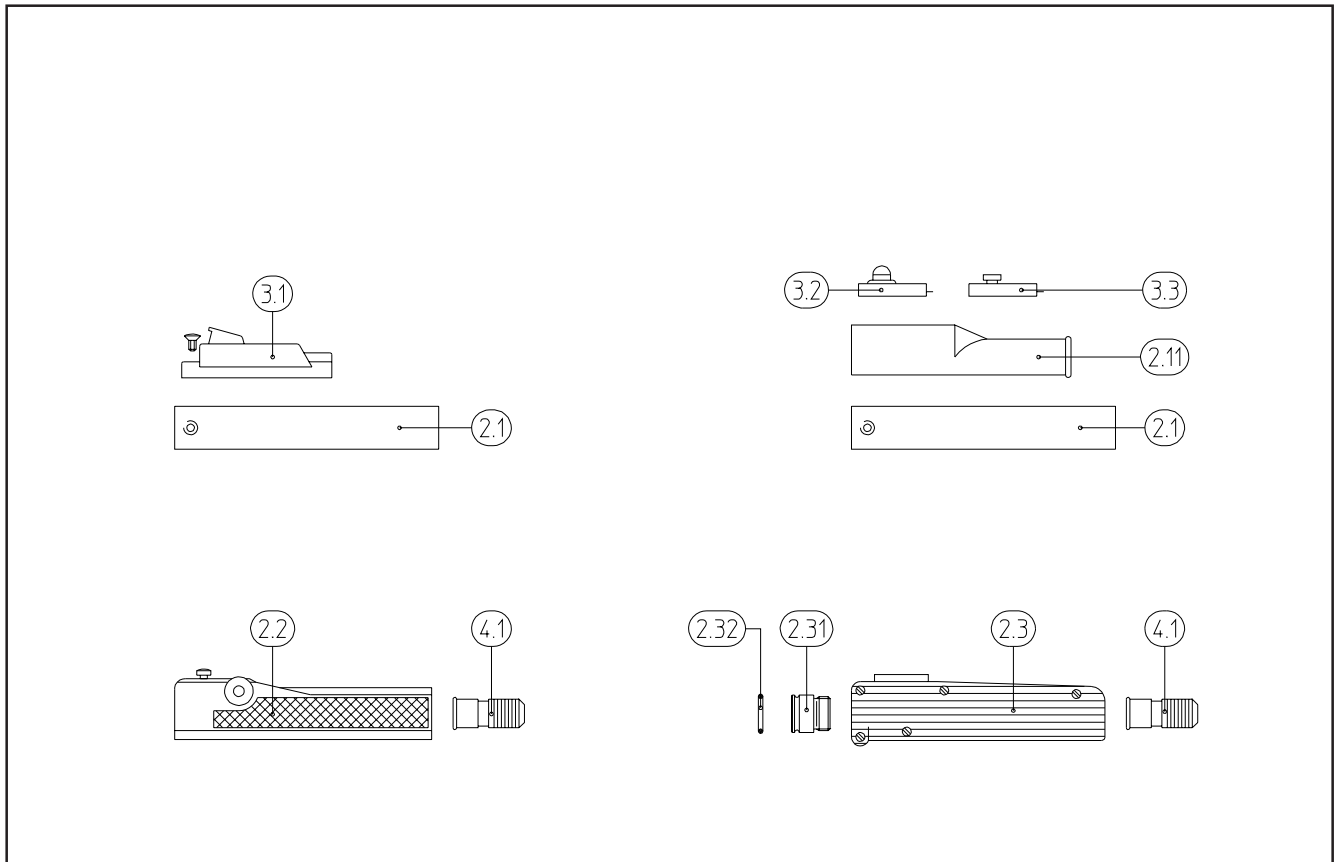
\* This part number is a sample, only, which refers to the mentioned „Standard version“. To other torch variations new order numbers will be given. See order confirmation.

Welding & cutting brought to the point.

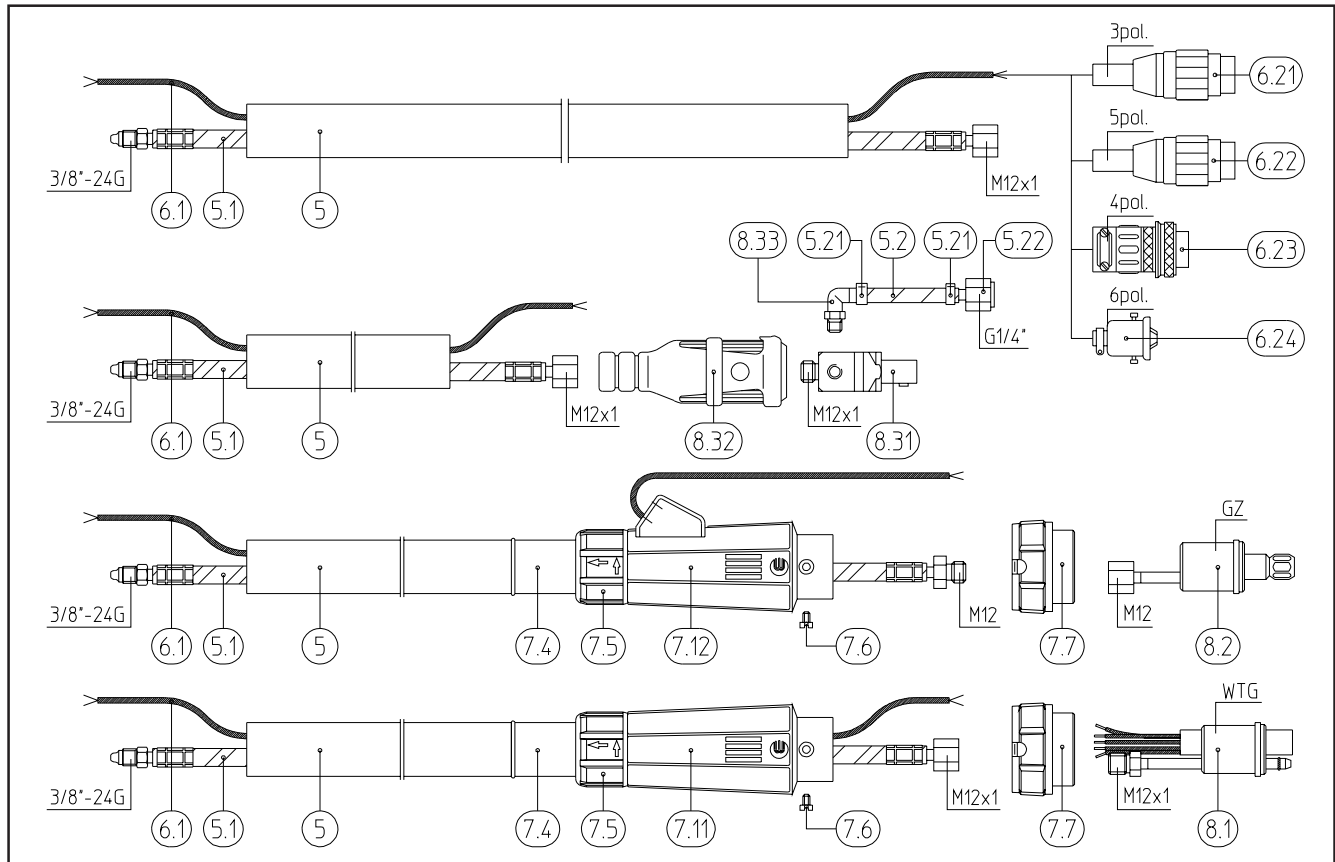




Build group	Pos.	Description	Specifications	Part no.
<b>Torch body</b>	1.11	Torch body SR 17		705.0033
	1.12	Torch body SR 17 FX (flexible)		703.0009
<b>Wear parts</b>	1.21	Back cap (long)		702.0004
	1.22	Back cap (short)		702.0002
	1.91	O-ring 9x2	20 pcs.	165.0031
	1.92	Cup gasket	10 pcs.	703.0012
	1.93	Rear head insert	10 pcs.	703.0011
	1.3	Collet 50.0 mm long for electrode- Ø 0.5 mm		702.0005
		Collet 50.0 mm long for electrode- Ø 1.0 mm		702.0006
		Collet 50.0 mm long for electrode- Ø 1.2 mm		702.0007
		Collet 50.0 mm long for electrode- Ø 1.6 mm		702.0008
		Collet 50.0 mm long for electrode- Ø 2.0 mm		702.0012
		Collet 50.0 mm long for electrode- Ø 2.4 mm		702.0009
	1.4	Collet body for electrode- Ø 0.5-1.2 mm		701.0190
		Collet body for electrode- Ø 1.6 mm		701.0191
		Collet body for electrode- Ø 2.0-2.4 mm		701.0196
	1.51	Alumina cup, no. 4, Ø 6.5 mm, 47.0 mm long		701.0107
	Alumina cup, no. 5, Ø 8.0 mm, 47.0 mm long		701.0108	
	Alumina cup, no. 6, Ø 9.5 mm, 47.0 mm long		701.0109	
	Alumina cup, no. 7, Ø 11.0 mm, 47.0 mm long		701.0110	
	Alumina cup, no. 8, Ø 12.5 mm, 47.0 mm long		701.0111	



Build group	Pos.	Description	Specifications	Part no.
Wear parts		Alumina cup, no. 10, Ø 16.0 mm, 47.0 mm long		701.0113
		Alumina cup, no. 12, Ø 19.5 mm, 47.0 mm long		701.0114
	1.52	Alumina cup, no. 5, Ø 8.0 mm, 47.0 mm long with metal shield		701.0124
		Alumina cup, no. 6, Ø 9.5 mm, 47.0 mm long with metal shield		701.0126
		Alumina cup, no. 7, Ø 11.0 mm, 47.0 mm long with metal shield		701.0118
		Alumina cup, no. 8, Ø 12.5 mm, 47.0 mm long with metal shield		701.0120
		Alumina cup, no. 10, Ø 16.0 mm, 47.0 mm long with metal shield		701.0122
	1.53	Spot weld nozzle, no. 8, Ø 12.5, 55.0 mm long with metal shield		701.0129
	1.54	Alumina cup, no. 5, Ø 8.0 mm, 76.0 mm long		701.0115
		Alumina cup, no. 6, Ø 9.5 mm, 76.0 mm long		701.0116
		Alumina cup, no. 7, Ø 11.0 mm, 76.0 mm long		701.0117
		Gas lens accessories		
	1.61	Insulator		701.0130
	1.62	Insulator (alternative for Pos. 1.93 and 1.61)		701.0199
	1.7	Collet body with gas lens for electrode- Ø 1.0 mm		701.0201
		Collet body with gas lens for electrode- Ø 1.6 mm		701.0203
		Collet body with gas lens for electrode- Ø 2.4 mm		701.0207
	1.81	Alumina cup, no. 4, Ø 6.5 mm, 42.0 mm long		701.0420
	Alumina cup, no. 5, Ø 8.0 mm, 42.0 mm long		701.0421	
	Alumina cup, no. 6, Ø 9.5 mm, 42.0 mm long		701.0422	
	Alumina cup, no. 7, Ø 11.0 mm, 42.0 mm long		701.0423	



Build group	Pos.	Description	Specifications	Part no.
<b>Wear parts</b>		Alumina cup, no. 8, Ø 12.5 mm, 42.0 mm long		701.0424
		Alumina cup, no. 12, Ø 19.5 mm, 42.0 mm long		701.0426
	1.82	Alumina cup, no. 5, Ø 8.0 mm, 76.0 mm long		701.0427
		Alumina cup, no. 6, Ø 9.5 mm, 76.0 mm long		701.0428
		Alumina cup, no. 7, Ø 11.0 mm, 76.0 mm long		701.0429
<b>Handle and switch</b>	2.1	Handle tube		705.0010
	2.11	Rubber boot		701.0105
	2.2	Handle with single action switch		705.0023
		Handle with double action switch		705.0024
		Handle with single action switch and potentiometer (Resistore must be specified)		705.0014
		Consisting of:		
		Handle		705.0636
		Screw 2.2x13	20 pcs.	079.0006
		Bung		705.0019
		Incher housing, single switch		705.0339
		Incher housing, double switch		705.0526
		Micro switch		185.0011
	Knurled knob for potentiometer		705.0020	
	Screw M3x6 for potentiometer	20 pcs.	005.0057	
	Potentiometer with nut (Resistore must be specified)		187.xxxx	

Build group	Pos.	Description	Specifications	Part no.
<b>Handle and switch</b>	2.3	MG-handle with single action switch		701.0133
		MG-handle with double action switch		701.0698
		Consisting of:		
		Handle with switch		701.0134
		Micro switch		185.0011
		Pressure spring	20 pcs.	701.0987
		Cylinder pin 2m6x8	20 pcs.	063.0001
		Screw 2.2x13	20 pcs.	079.0005
		O-ring 17x2.5	20 pcs.	165.0040
	2.31	Insert bush		705.1442
	2.32	O-ring 17x2.5	20 pcs.	165.0040
	3.1	Binzel switch		701.0140
		Countersunk screw M4x6	20 pcs.	009.0201
	3.2	Rubber switch		185.0013
3.3	Double switch		185.0015	
4.1	Cable support		701.0139	
<b>Cable assembly</b>	5	Outer cover rubber Ø 20x1.5	per meter	105.0005
	5.1	Power cable air-cooled for 4.00 m (Single connection/BSB/WTG)		116.0157
		Power cable air-cooled for 8.00 m (Single connection/BSB/WTG)		116.0158
		Power cable air-cooled for 4.00 m (GZ)		116.0155
		Power cable air-cooled for 8.00 m (GZ)		116.0156
	5.2	Hose 30 black Ø 4.9x1.5	per meter	109.0040
	5.21	Hose clamp Ø 8.7 mm	20 pcs.	171.0002
	5.22	Nut G 1/4"		500.0082
		Nipple for G 1/4"		500.0087
	6.1	Control cable 2-pole protected	per meter	100.0017
		Control cable 2-pole unprotected	per meter	100.0019
		Control cable 3-pole protected	per meter	100.0022
		Control cable 3-pole unprotected	per meter	100.0023
		Control cable 5-pole protected	per meter	100.0028
	w/o fig.	Elektric-Insulation hose 6x0,5 (for unprotected control cable 100.0019 and 100.0023)	per meter	110.0004
	6.21	Tuchel plug 3-pole		175.0009
	6.22	Tuchel plug 5-pole		175.0011
	6.23	Amphenol plug 4-pole		175.0006
	6.24	Harting plug 6-pole		175.0013
		Other plug types are available on request.		
7.11	Connecting case complete		500.0340	
7.12	Connecting case complete (Hose passage w/o hole)		500.0341	
7.4	Cable support		400.0101	
7.5	Locking ring NW 31		400.0297	

Build group	Pos.	Description	Specifications	Part no.
Cable assembly	7.6	Screw M4x6	20 pcs.	000.0552
	7.7	Connecting nut		500.0213
	8.1	Central adaptor block WTG 5-pole		501.0059
	8.2	Central adaptor block WIG-GZ		501.0039
		BSB Plug with side entry		500.0177
		Consisting of:		
	8.31	Power fitting		500.0060
	8.32	Rubber insulator		500.0141
	8.33	Hose fitting		500.0255

Welding & cutting brought to the point.



Alexander Binzel Schweißtechnik GmbH & Co. KG  
 P.O. Box 10 01 53 · D-35331 Gießen  
 Tel.: ++49 (0) 64 08 / 59-0  
 Fax: ++49 (0) 64 08 / 59-191  
 Internet: [www.binzel-abicor.com](http://www.binzel-abicor.com)