

TIG Welding Torch

SR 9 V
SR 17 V / FXV
SR 26 V
air cooled



BINZEL. The right welding torch for every job!

BINZEL air cooled welding torches have the high quality and technology needed for trouble-free performance whatever the welding job.

All BINZEL torches are constructed to the highest standards and offer the greatest working comfort. This brochure defines in detail all the possible options for the above TIG torch types.

Technical Data (EN 50 078):

SR 9 V / SR 17 V / SR 17 FXV / SR 26 V
Rating: 110 / 140 / 180 A DC
95 / 125 / 130 A AC

Tungsten electrode: \varnothing 0,5 - 1,6 / 0,5 - 2,4 / 0,5 - 4,0 mm

As each torch type has very many variations, we cannot list them all here. Therefore, we indicate only one standard for each type of torch.

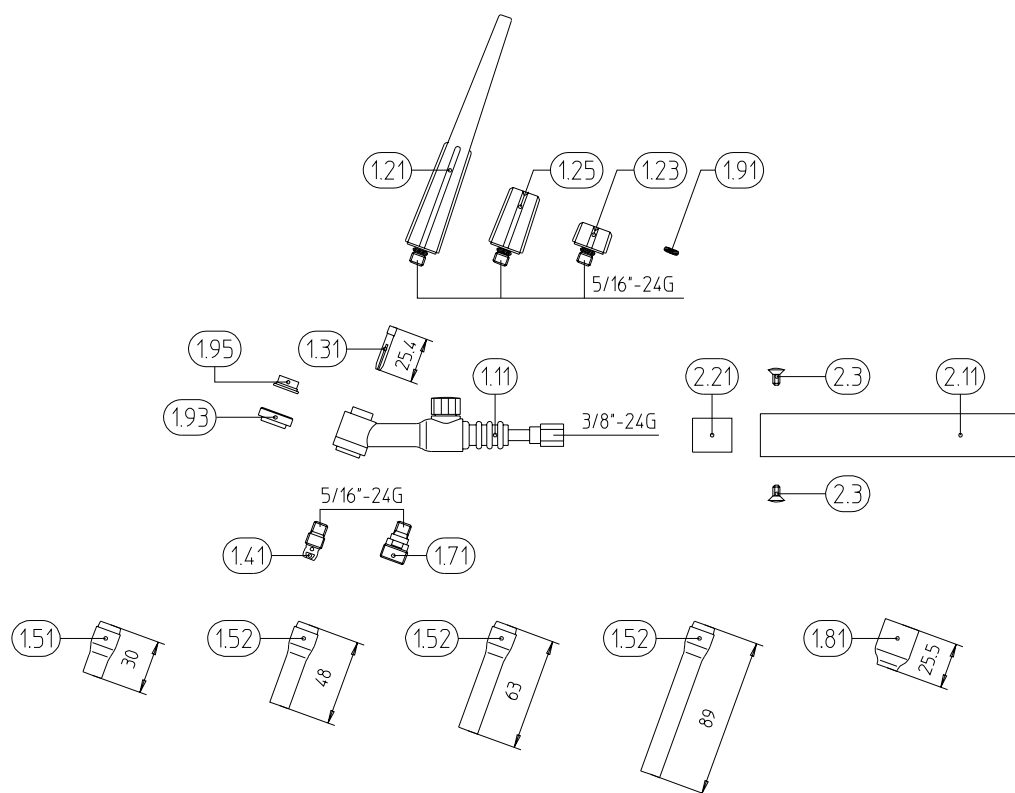
Type	Handle version	4,00 m long Part no.	8,00 m long Part no.
SR 9 V	with single connection and valve	705.0114*	705.0115*
SR 17 V	with single connection and valve	705.0161*	705.0162*
SR 17 FXV	with single connection and valve	703.0036*	703.0037*
SR 26 V	with single connection and valve	705.0307*	705.0308*

* This part number is a sample, only, which refers to the mentioned „Standard version“. To other torch variations new order numbers will be given. See order confirmation.

Welding & cutting brought to the point.



SR 9 V



Build group

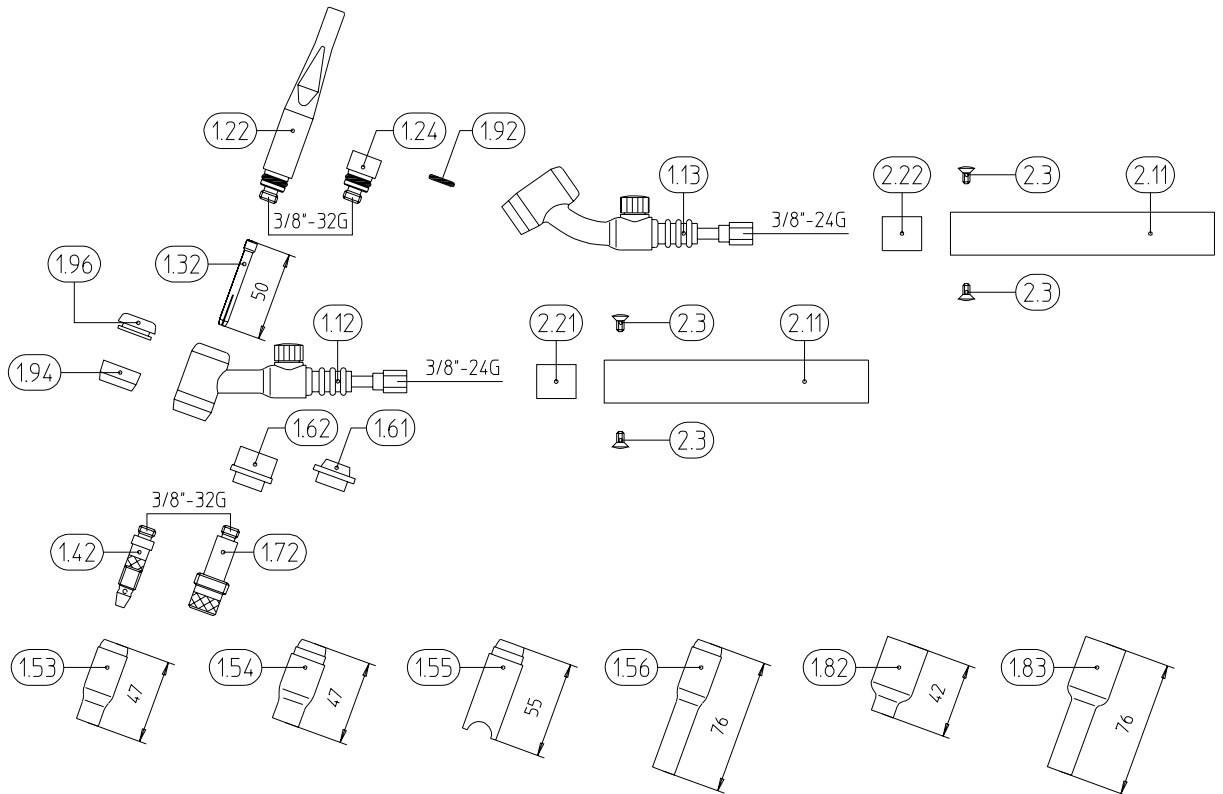
Torch body

Pos.	Description	Specifications	Part no.
1.11	Torch body SR 9 V		705.0007
1.12	Torch body SR 17 V		705.0038
1.13	Torch body SR 17 FXV (flexible)		703.0010
1.14	Torch body SR 26 V		705.0091

Wear parts

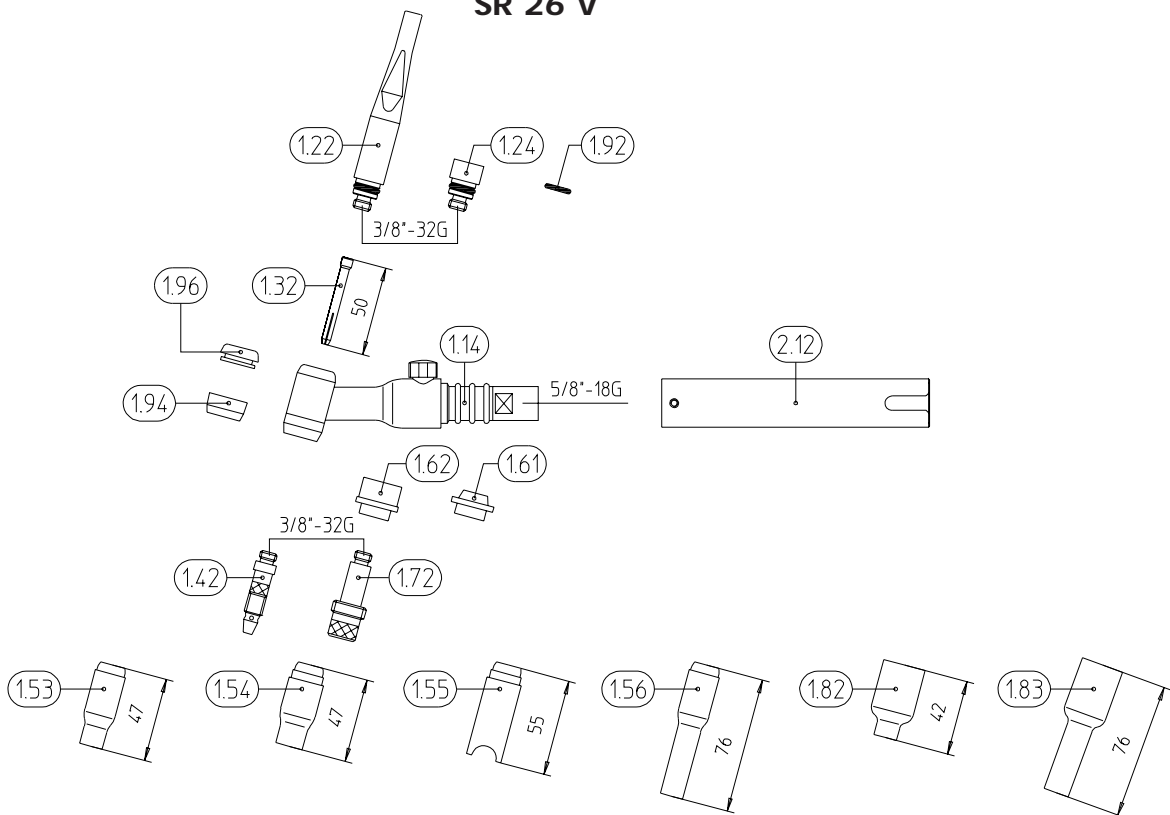
1.21	Back cap (long)		701.0247
1.22	Back cap (long)		702.0004
1.23	Back cap (short)		701.0240
1.24	Back cap (short)		702.0002
1.25	Back cap (medium)		701.0244
1.91	O-ring 4.6x2	20 pcs.	165.0028
1.92	O-ring 9x2	20 pcs.	165.0031
1.93	Cup gasket	10 pcs.	702.0055
1.94	Cup gasket	10 pcs.	703.0012
1.95	Rear head insert	10 pcs.	705.0067
1.96	Rear head insert	10 pcs.	703.0011
1.31	Collet 25.4 mm long for electrode- Ø 0.5 mm		701.0249
	Collet 25.4 mm long for electrode- Ø 1.0 mm		701.0250
	Collet 25.4 mm long for electrode- Ø 1.2 mm		701.0254
	Collet 25.4 mm long for electrode- Ø 1.6 mm		701.0251
1.32	Collet 50.0 mm long for electrode- Ø 0.5 mm		702.0005
	Collet 50.0 mm long for electrode- Ø 1.0 mm		702.0006
	Collet 50.0 mm long for electrode- Ø 1.2 mm		702.0007
	Collet 50.0 mm long for electrode- Ø 1.6 mm		702.0008

SR 17 V / SR 17 FXV



Build group	Pos.	Description	Specifications	Part no.
Wear parts		Collet 50.0 mm long for electrode- Ø 2.0 mm		702.0012
		Collet 50.0 mm long for electrode- Ø 2.4 mm		702.0009
		Collet 50.0 mm long for electrode- Ø 3.2 mm		702.0010
		Collet 50.0 mm long for electrode- Ø 4.0 mm		702.0011
	1.41	Collet body for electrode- Ø 0.5-1.0 mm		701.0275
		Collet body for electrode- Ø 1.2 mm		701.0279
		Collet body for electrode- Ø 1.6 mm		701.0276
	1.42	Collet body for electrode- Ø 0.5-1.2 mm		701.0190
		Collet body for electrode- Ø 1.6 mm		701.0191
		Collet body for electrode- Ø 2.0-2.4 mm		701.0196
	1.51	Alumina cup, no. 4, Ø 6.5 mm, 30.0 mm long		701.0281
		Alumina cup, no. 5, Ø 8.0 mm, 30.0 mm long		701.0282
		Alumina cup, no. 6, Ø 9.5 mm, 30.0 mm long		701.0283
		Alumina cup, no. 7, Ø 11.0 mm, 30.0 mm long		701.0284
		Alumina cup, no. 8, Ø 12.5 mm, 30.0 mm long		701.0285
		Alumina cup, no. 10, Ø 16.0 mm, 30.0 mm long		701.0286
	1.52	Alumina cup, no. 4, Ø 6.5 mm, 48.0 mm long		701.0289
		Alumina cup, no. 5, Ø 8.0 mm, 48.0 mm long		701.0290
		Alumina cup, no. 6, Ø 9.5 mm, 48.0 mm long		701.0291
		Alumina cup, no. 4, Ø 6.5 mm, 63.0 mm long		701.0293
		Alumina cup, no. 5, Ø 8.0 mm, 63.0 mm long		701.0294
		Alumina cup, no. 4, Ø 6.5 mm, 89.0 mm long		701.0296

SR 26 V



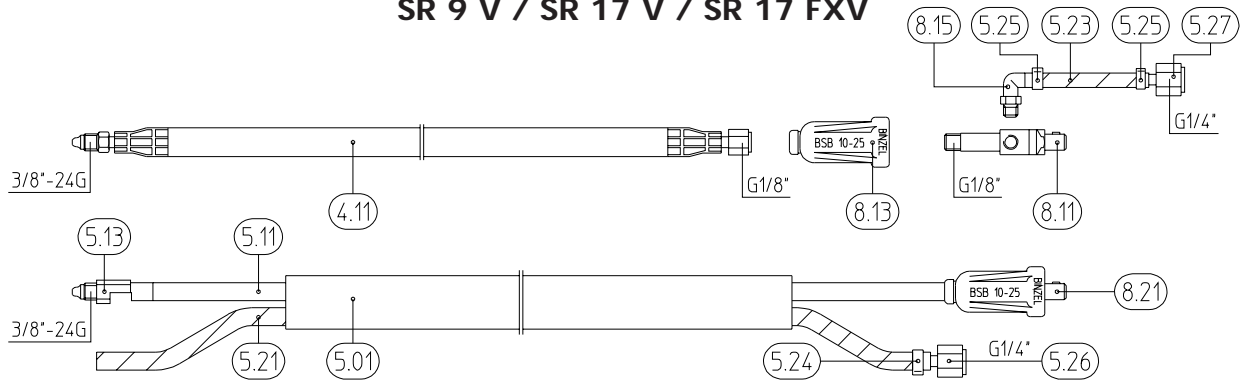
Build group

Pos.	Description	Specifications	Part no.
------	-------------	----------------	----------

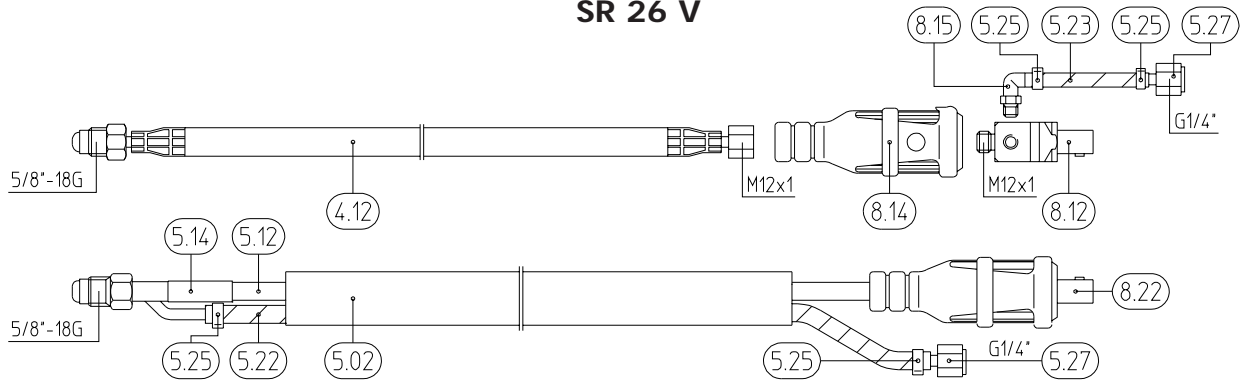
Wear parts

1.53	Alumina cup, no. 4, Ø 6.5 mm, 47.0 mm long		701.0107
	Alumina cup, no. 5, Ø 8.0 mm, 47.0 mm long		701.0108
	Alumina cup, no. 6, Ø 9.5 mm, 47.0 mm long		701.0109
	Alumina cup, no. 7, Ø 11.0 mm, 47.0 mm long		701.0110
	Alumina cup, no. 8, Ø 12.5 mm, 47.0 mm long		701.0111
	Alumina cup, no. 10, Ø 16.0 mm, 47.0 mm long		701.0113
	Alumina cup, no. 12, Ø 19.5 mm, 47.0 mm long		701.0114
1.54	Alumina cup, no. 5, Ø 8.0 mm, 47.0 mm long with metal shield		701.0124
	Alumina cup, no. 6, Ø 9.5 mm, 47.0 mm long with metal shield		701.0126
	Alumina cup, no. 7, Ø 11.0 mm, 47.0 mm long with metal shield		701.0118
	Alumina cup, no. 8, Ø 12.5 mm, 47.0 mm long with metal shield		701.0120
	Alumina cup, no. 10, Ø 16.0 mm, 47.0 mm long with metal shield		701.0122
1.55	Spot weld nozzle, no. 8, Ø 12.5, 55.0 mm long with metal shield		701.0129
1.56	Alumina cup, no. 5, Ø 8.0 mm, 76.0 mm long		701.0115
	Alumina cup, no. 6, Ø 9.5 mm, 76.0 mm long		701.0116
	Alumina cup, no. 7, Ø 11.0 mm, 76.0 mm long		701.0117
	Gas lens accessories		
1.61	Insulator		701.0130
1.62	Insulator (alternative for Pos. 1.93 and 1.61)		701.0199
1.71	Collet body with gas lens for electrode Ø 0.5-1.0 mm		701.0301
	Collet body with gas lens for electrode- Ø 1.2 mm		701.0313
	Collet body with gas lens for electrode- Ø 1.6 mm		701.0307

SR 9 V / SR 17 V / SR 17 FXV



SR 26 V



Build group	Pos.	Description	Specifications	Part no.
Wear parts	1.72	Collet body with gas lens for electrode- Ø 1.0 mm		701.0201
		Collet body with gas lens for electrode- Ø 1.6 mm		701.0203
		Collet body with gas lens for electrode- Ø 2.4 mm		701.0207
		Collet body with gas lens for electrode- Ø 3.2 mm		701.0209
		Collet body with gas lens for electrode- Ø 4.0 mm		701.0211
	1.81	Alumina cup, no. 4, Ø 6.5 mm, 25.5 mm long		701.0317
		Alumina cup, no. 5, Ø 8.0 mm, 25.5 mm long		701.0318
		Alumina cup, no. 6, Ø 9.5 mm, 25.5 mm long		701.0319
		Alumina cup, no. 7, Ø 11.0 mm, 25.5 mm long		701.0320
	1.82	Alumina cup, no. 4, Ø 6.5 mm, 42.0 mm long		701.0420
		Alumina cup, no. 5, Ø 8.0 mm, 42.0 mm long		701.0421
		Alumina cup, no. 6, Ø 9.5 mm, 42.0 mm long		701.0422
		Alumina cup, no. 7, Ø 11.0 mm, 42.0 mm long		701.0423
		Alumina cup, no. 8, Ø 12.5 mm, 42.0 mm long		701.0424
		Alumina cup, no. 12, Ø 19.5 mm, 42.0 mm long		701.0426
1.83	Alumina cup, no. 5, Ø 8.0 mm, 76.0 mm long		701.0427	
	Alumina cup, no. 6, Ø 9.5 mm, 76.0 mm long		701.0428	
	Alumina cup, no. 7, Ø 11.0 mm, 76.0 mm long		701.0429	
Handle	2.11	Handle tube		705.0045
	2.12	Handle tube		705.0096
	2.21	Insert bush		705.0044
	2.22	Insert bush		703.0258
	2.3	Countersunk screw M4x6	20 pcs.	009.0201

Build group	Pos.	Description	Specifications	Part no.
Cable assembly	4.11	Power-gas cable for 4.00 m		163.0007
		Power-gas cable for 8.00 m		163.0008
	4.12	Power-gas cable for 4.00 m		163.0022
		Power-gas cable for 8.00 m		163.0023
	5.01	Outer cover rubber Ø 20x1.5	per meter	105.0005
	5.02	Outer cover rubber Ø 25x1.5	per meter	105.0019
	5.11	Power cable for 4.00 m		118.0002
		Power cable for 8.00 m		118.0003
	5.12	Power cable for 4.00 m		118.0019
		Power cable for 8.00 m		118.0021
	5.13	Power gas fitting 3/8"-24G		717.0014
		Nipple for 3/8"-24G		717.0015
	5.14	Power gas fitting 5/8"-18G		726.0002
	5.21	Hose Ø 3x1.5	per meter	102.0124
	5.22	Hose 30 black Ø 5.0x1.5	per meter	109.0040
	5.23	Hose 22 black Ø 5.5x1.5	per meter	109.0032
	5.24	Hose clamp Ø 8.7 mm	20 pcs.	171.0002
	5.25	Hose clamp Ø 9.5 mm	20 pcs.	173.0002
	5.26	Nut G 1/4"		500.0082
		Nipple for G 1/4" (Ø = 4.7 mm)		500.0087
	5.27	Nut G 1/4"		500.0082
		Nipple for G 1/4" (Ø = 6.0 mm)		720.0017
	8.11	Power fitting		500.0059
	8.12	Power fitting		500.0060
	8.13	Rubber insulator		500.0158
	8.14	Rubber insulator		500.0141
	8.15	Hose fitting		500.0255
8.21	Welding cable plug BSB 10-25		511.0005	
8.22	Welding cable plug BSB 35-50		511.0015	

Welding & cutting brought to the point.



Alexander Binzel Schweißtechnik GmbH & Co. KG
 P.O. Box 10 01 53 · D-35331 Gießen
 Tel.: ++49 (0) 64 08 / 59-0
 Fax: ++49 (0) 64 08 / 59-191
 Internet: www.binzel-abicor.com