

TIG Welding Torch SRT 9 V, SRT 17 V / FXV SRT 26 V air cooled



SRT – Standard Redefined

With the new line of SRT welding torches, ABICOR-BINZEL have brought clarity and order into the world of TIG welding where less now means more.

Fewer components, but more system!

The distinguishing features of the SRT line of welding torches are:

- modular construction
- slim, light and flexible cable assemblies

Technical Data (EN 50 078):

SRT 9 V / SRT 17 V/FXV / SRT 26 V

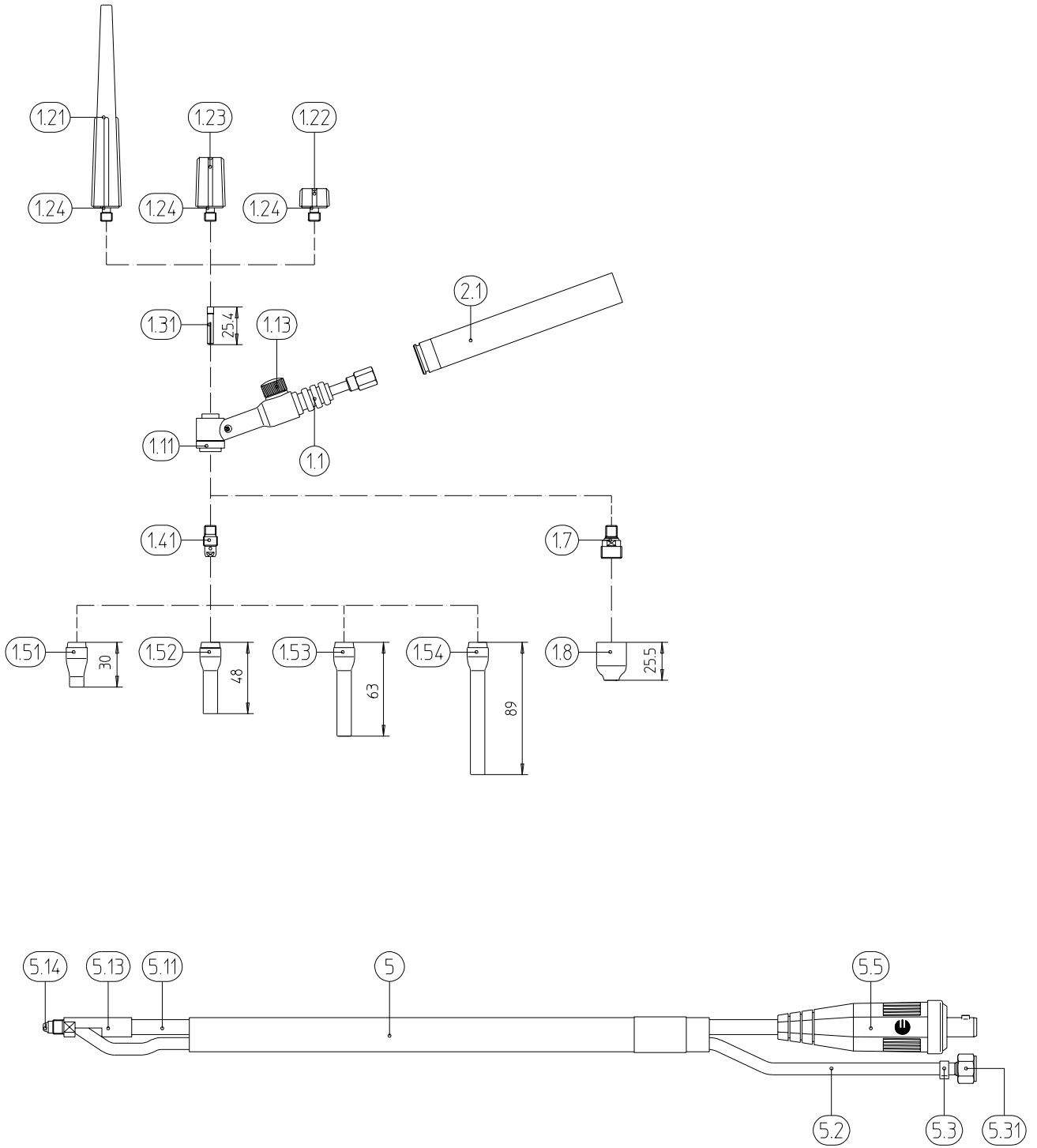
Type of cooling:	Air
Gas flow:	5-12l / 7-15l / 7-18l/min.
Inert gas DIN EN 439	
Rating at 35% duty cycle:	110 / 140 / 180 A DC 95 / 125 / 130 A AC
Electrode diameter:	ø 0.5 - 1.6 / 0.5 - 2.4 / 0.5 - 4.0 mm

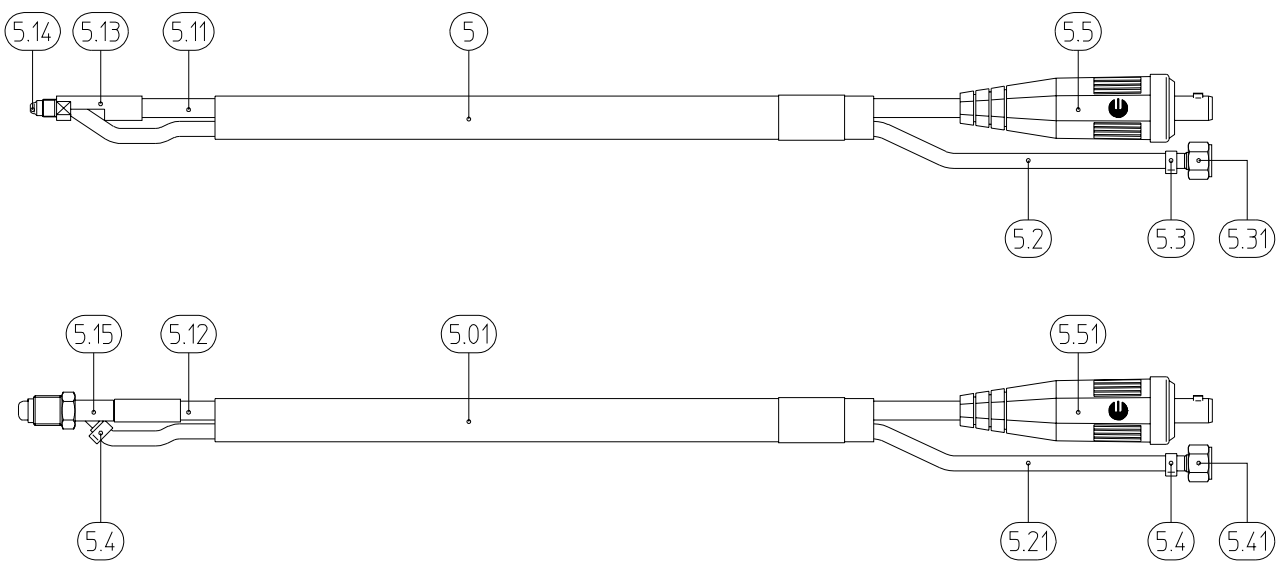
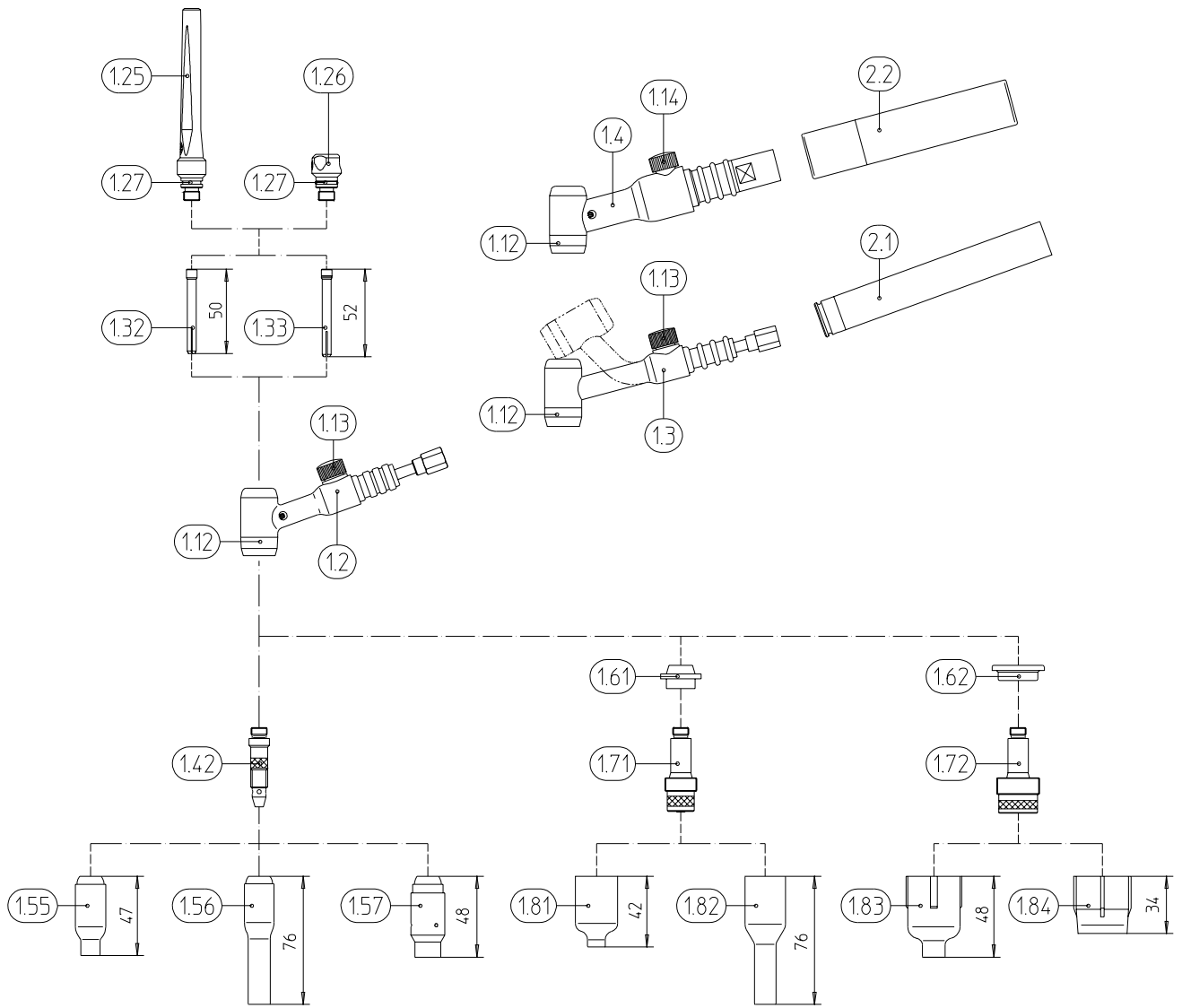
Type	Description	4,00 m long Order-no.	8,00 m long Order-no.
SRT 9 V	Valve / BCC-1 / BHC-01	706.5057*	706.5058*
SRT 17 V	Valve / BCC-1 / BHC-01	706.1057*	706.1058*
	Valve / BCC-2 / BHC-01	706.1037*	706.1038*
SRT 17 FXV	Valve / BCC-1 / BHC-01	706.1157*	706.1158*
	Valve / BCC-2 / BHC-01	706.1137*	706.1138*
SRT 26 V	Valve / BCC-2 / BHC-01	706.4037*	706.4038*

* This part number is a sample, only, which refers to the mentioned „Standard version“. To other torch variations new order numbers will be given. See order confirmation.

Welding & cutting brought to the point.







Build group	Pos.	Description	Internat.-no.	Specifications	Order-no.	
Torch body	1.1	Torch body SRT 9 V		air cooled	705.0007	
	1.2	Torch body SRT 17 V		air cooled	705.0038	
	1.3	Torch body SRT 17 FXV		air cooled	703.0010	
	1.4	Torch body SRT 26 V		air cooled	705.0091	
	1.11	Insulating ring SRT 9 V	598882	10 pcs.	702.0055	
	1.12	Insulating ring SRT 17 V / SRT 26 V	18 CG	10 pcs.	703.0012	
	1.13	Valve SRT 9 V / SRT 17 V / SRT 17 FXV			705.0046	
	1.14	Valve SRT 26 V			705.0097	
	Wear parts SRT 9 V	1.21	Back cap (long)	41V24		701.0247
		1.22	Back cap (short)	41V33		701.0240
1.23		Back cap (medium)	41V35		701.0244	
1.24		O-ring 4.6x2		20 pcs.	165.0028	
1.31		Collet 25.4 mm long for electrode- Ø 0.5 mm	13N20	10 pcs.	701.0249	
		Collet 25.4 mm long for electrode- Ø 1.0 mm	13N21	10 pcs.	701.0250	
		Collet 25.4 mm long for electrode- Ø 1.2 mm		10 pcs.	701.0254	
		Collet 25.4 mm long for electrode- Ø 1.6 mm	13N22	10 pcs.	701.0251	
		Collet 25.4 mm long for electrode- Ø 2.0 mm		10 pcs.	701.0255	
		Collet 25.4 mm long for electrode- Ø 2.4 mm	13N23	10 pcs.	701.0252	
		Collet 25.4 mm long for electrode- Ø 3.2 mm	13N24	10 pcs.	701.0253	
1.41		Collet body for electrode- Ø 0.5-1.0 mm	13N26	10 pcs.	701.0275	
		Collet body for electrode- Ø 1.2 mm		10 pcs.	701.0279	
		Collet body for electrode- Ø 1.6 mm	13N27	10 pcs.	701.0276	
		Collet body for electrode- Ø 2.0 mm		10 pcs.	701.0280	
		Collet body for electrode- Ø 2.4 mm	13N28	10 pcs.	701.0277	
		Collet body for electrode- Ø 3.2 mm	13N29	10 pcs.	701.0278	
1.51		Ceramic gas nozzle, no. 4, Ø 6.5 mm	13N08	10 pcs.	701.0281	
		Ceramic gas nozzle, no. 5, Ø 8.0 mm	13N09	10 pcs.	701.0282	
		Ceramic gas nozzle, no. 6, Ø 9.5 mm	13N10	10 pcs.	701.0283	
		Ceramic gas nozzle, no. 7, Ø 11.0 mm	13N11	10 pcs.	701.0284	
		Ceramic gas nozzle, no. 8, Ø 12.5 mm	13N12	10 pcs.	701.0285	
		Ceramic gas nozzle, no. 10, Ø 16.0 mm	13N13	10 pcs.	701.0286	
1.52		Ceramic gas nozzle, no. 4, Ø 6.5 mm	796F71	10 pcs.	701.0289	
		Ceramic gas nozzle, no. 5, Ø 8.0 mm	796F72	10 pcs.	701.0290	
		Ceramic gas nozzle, no. 6, Ø 9.5 mm	796F73	10 pcs.	701.0291	
1.53		Ceramic gas nozzle, no. 4, Ø 6.5 mm	796F75	10 pcs.	701.0293	
		Ceramic gas nozzle, no. 5, Ø 8.0 mm	796F76	10 pcs.	701.0294	
1.54		Ceramic gas nozzle, no. 4, Ø 6.5 mm	796F79	10 pcs.	701.0296	
		For using gas lenses				
1.7		Collet body with gas lens for electrode- Ø 0.5-1.0 mm	45V42	10 pcs.	701.0301	
		Collet body with gas lens for electrode- Ø 1.2 mm		10 pcs.	701.0313	
	Collet body with gas lens for electrode- Ø 1.6 mm	45V43	10 pcs.	701.0307		
	Collet body with gas lens for electrode- Ø 2.0 mm		10 pcs.	701.0315		

Build group	Pos.	Description	Internat.-no.	Specifications	Order-no.
Wear parts SRT 9 V	1.7	Collet body with gas lens for electrode- Ø 2.4 mm	45V44	10 pcs.	701.0309
		Collet body with gas lens for electrode- Ø 3.2 mm	45V45	10 pcs.	701.0311
Wear parts SRT 17 V / FXV SRT 26 V	1.8	Ceramic gas nozzle, no. 4; Ø 6.5 mm	53N58	10 pcs.	701.0317
		Ceramic gas nozzle, no. 5, Ø 8.0 mm	53N59	10 pcs.	701.0318
		Ceramic gas nozzle, no. 6, Ø 9.5 mm	53N60	10 pcs.	701.0319
		Ceramic gas nozzle, no. 7, Ø 11.0 mm	53N61	10 pcs.	701.0320
	1.25	Back cap (long)			712.1051
	1.26	Back cap (short)			712.1053
	1.27	O-ring 10 x 1.5		10 pcs.	165.0012
	1.32	Collet 50.0 mm long for electrode- Ø 0.5 mm	10N21	10 pcs.	702.0005
		Collet 50.0 mm long for electrode- Ø 1.0 mm	10N22	10 pcs.	702.0006
		Collet 50.0 mm long for electrode- Ø 1.2 mm		10 pcs.	702.0007
		Collet 50.0 mm long for electrode- Ø 1.6 mm	10N23	10 pcs.	702.0008
		Collet 50.0 mm long for electrode- Ø 2.0 mm		10 pcs.	702.0012
		Collet 50.0 mm long for electrode- Ø 2.4 mm	10N24	10 pcs.	702.0009
		Collet 50.0 mm long for electrode- Ø 3.2 mm	10N25	10 pcs.	702.0010
		Collet 50.0 mm long for electrode- Ø 4.0 mm	54N20	10 pcs.	702.0011
	1.33	Collet 52.0 mm long for electrode- Ø 0.5 mm	10N21D	10 pcs.	701.0169
		Collet 52.0 mm long for electrode- Ø 1.0 mm	10N22D	10 pcs.	701.0171
		Collet 52.0 mm long for electrode- Ø 1.2 mm		10 pcs.	701.0170
		Collet 52.0 mm long for electrode- Ø 1.6 mm	10N23D	10 pcs.	701.0172
		Collet 52.0 mm long for electrode- Ø 2.0 mm		10 pcs.	701.0176
		Collet 52.0 mm long for electrode- Ø 2.4 mm	10N24D	10 pcs.	701.0173
		Collet 52.0 mm long for electrode- Ø 3.2 mm	10N25D	10 pcs.	701.0174
		Collet 52.0 mm long for electrode- Ø 4.0 mm	54N20D	10 pcs.	701.0175
	1.42	Collet body for electrode- Ø 0.5-1.2 mm	10N30	10 pcs.	701.0190
		Collet body for electrode- Ø 1.6 mm	10N31	10 pcs.	701.0191
		Collet body for electrode- Ø 2.0-2.4 mm	10N32	10 pcs.	701.0196
		Collet body for electrode- Ø 3.2 mm	10N28	10 pcs.	701.0197
		Collet body for electrode- Ø 4.0 mm	406488	10 pcs.	701.0198
	1.55	Ceramic gas nozzle, no. 4, Ø 6.5 mm	10N50	10 pcs.	701.0107
		Ceramic gas nozzle, no. 5, Ø 8.0 mm	10N49	10 pcs.	701.0108
		Ceramic gas nozzle, no. 6, Ø 9.5 mm	10N48	10 pcs.	701.0109
		Ceramic gas nozzle, no. 7, Ø 11.0 mm	10N47	10 pcs.	701.0110
		Ceramic gas nozzle, no. 8, Ø 12.5 mm	10N46	10 pcs.	701.0111
		Ceramic gas nozzle, no. 10, Ø 16.0 mm	10N45	10 pcs.	701.0113
	w/o fig.	Ceramic gas nozzle, no. 12, Ø 19.5 mm, 50.0 mm	10N44	10 pcs.	701.0114
	1.56	Ceramic gas nozzle, no. 5, Ø 8.0 mm	10N49L	10 pcs.	701.0115
		Ceramic gas nozzle, no. 6, Ø 9.5 mm	10N48L	10 pcs.	701.0116
		Ceramic gas nozzle, no. 7, Ø 11.0 mm	10N47L	10 pcs.	701.0117
	1.57	Ceramic gas nozzle, no. 5, Ø 8.0 mm with metal shield	10N55	10 pcs.	701.0124
		Ceramic gas nozzle, no. 6, Ø 9.5 mm with metal shield	10N54	10 pcs.	701.0126

Build group	Pos.	Description	Internat.-no.	Specifications	Order-no.
Wear parts SRT 17 V / FXV SRT 26 V		Ceramic gas nozzle, no. 7, Ø 11.0 mm with metal shield	10N53	10 pcs.	701.0118
		Ceramic gas nozzle, no. 8, Ø 12.5 mm with metal shield	10N52	10 pcs.	701.0120
		Ceramic gas nozzle, no. 10, Ø 16.0 mm with metal shield	10N51	10 pcs.	701.0122
	w/o fig.	Ceramic spot weld nozzle, no. 8, Ø 12.5 mm with metal shield	10N52P	10 pcs.	701.0129
		For using gas lenses			
	1.61	Insulator (alternative for pos. 1.71)	54N01	10 pcs.	701.0130
	1.62	Insulator (alternative for pos. 1.72)	54N63	5 pcs.	701.1122
	1.71	Collet body with gas lens for electrode- Ø 0.5 - 1.0 mm	45V24	10 pcs.	701.0201
		Collet body with gas lens for electrode- Ø 1.6 mm	45V25	10 pcs.	701.0203
		Collet body with gas lens for electrode- Ø 2.0 - 2.4 mm	45V26	10 pcs.	701.0207
		Collet body with gas lens for electrode- Ø 3.2 mm	45V27	10 pcs.	701.0209
		Collet body with gas lens for electrode- Ø 4.0 mm	45V28	10 pcs.	701.0211
	1.72	Collet body with gaslens for electrode- Ø 1.6 mm	45V116	5 pcs.	701.1116
		Collet body with gaslens for electrode- Ø 2.4 mm	45V64	5 pcs.	701.1117
		Collet body with gaslens for electrode- Ø 3.2 mm	995795	5 pcs.	701.1118
		Collet body with gaslens for electrode- Ø 4.0 mm	45V63	5 pcs.	701.1208
	1.81	Ceramic gas nozzle, no. 4, Ø 6.5 mm	54N18	10 pcs.	701.0420
		Ceramic gas nozzle, no. 5, Ø 8.0 mm	54N17	10 pcs.	701.0421
		Ceramic gas nozzle, no. 6, Ø 9.5 mm	54N16	10 pcs.	701.0422
		Ceramic gas nozzle, no. 7, Ø 11.0 mm	54N15	10 pcs.	701.0423
		Ceramic gas nozzle, no. 8, Ø 12.5 mm	54N14	10 pcs.	701.0424
		Ceramic gas nozzle, no. 12, Ø 19.5 mm	54N19	10 pcs.	701.0426
	1.82	Ceramic gas nozzle, no. 5, Ø 8.0 mm	54N17L	10 pcs.	701.0427
	Ceramic gas nozzle, no. 6, Ø 9.5 mm	54N16L	10 pcs.	701.0428	
	Ceramic gas nozzle, no. 7, Ø 11.0 mm	54N15L	10 pcs.	701.0429	
1.83	Ceramic gas nozzle, no. 6, Ø 9.5 mm	57N75	10 pcs.	701.1199	
	Ceramic gas nozzle, no. 8, Ø 12.5 mm	57N74	10 pcs.	701.1200	
	Ceramic gas nozzle, no. 10, Ø 16.0 mm	53N88	10 pcs.	701.1201	
	Ceramic gas nozzle, no. 12, Ø 19.5 mm	53N87	10 pcs.	701.1121	
1.84	Ceramic gas nozzle, Ø 24.0 mm (not recommended by using high flex)	53N89	10 pcs.	701.1202	
Component kits SRT 9 V	w/o fig.	Component kit for electrode- Ø 1.6 consisting of: Back cap (long) 701.0247, Collet 701.0251, Collet body 701.0276, Ceramic gas nozzle 701.0282			712.3151

Build group	Pos.	Description	Internat.-no.	Specifications	Order-no.
Component kits SRT 9 V		Component kit for electrode- Ø 2.4 consisting of: Back cap (long) 701.0247, Collet 701.0252, Collet body 701.0277, Ceramic gas nozzle 701.0284			712.3152
		Component kit for electrode- Ø 3.2 consisting of: Back cap (long) 701.0247, Collet 701.0253, Collet body 701.0278, Ceramic gas nozzle 701.0285			712.3153
Component kits SRT 17 V / FXV SRT 26 V	w/o fig.	Component kit for electrode- Ø 1.6 consisting of: Back cap (long) 712.1051, Collet 702.0008, Collet body 701.0191, Ceramic gas nozzle 701.0108			712.2151
		Component kit for electrode- Ø 2.4 consisting of: Back cap (long) 712.1051, Collet 702.0009, Collet body 701.0196, Ceramic gas nozzle 701.0110			712.2152
		Component kit for electrode- Ø 3.2 consisting of: Back cap (long) 712.1051, Collet 702.0010, Collet body 701.0197, Ceramic gas nozzle 701.0111			712.2153
		Component kit for electrode- Ø 4.0 consisting of: Back cap (long) 712.1051, Collet 702.0011, Collet body 701.0198, Ceramic gas nozzle 701.0111			712.2154
Handle tube	2.1	Handle tube complete SRT 9 V / SRT 17 V / SRT 17 FXV			705.1440
	2.2	Handle tube complete SRT 26 V			702.0318
Cable assembly	5	Outer hose ND 20		per meter	105.0005
	5.01	Outer hose ND 25		per meter	105.0019
	5.11	Power cable for SRT 9 V / SRT 17 V / SRT 17 FXV		per meter	113.0003
	5.12	Power cable for SRT 26 V		per meter	113.0012
	5.13	Male nipple 3/8"-24G for SRT 9 V / SRT 17 V / SRT 17 FXV			717.0015
	5.14	Cable support 3/8"-24G for SRT 9 V / SRT 17 V / SRT 17 FXV			717.0014
	5.15	Cable support 5/8" for SRT 26 V			726.0002
	5.2	Hose Ø 3x1.5		per meter	102.0124
	5.21	Hose Ø 4.9 x 1.5 for SRT 26 V		per meter	109.0040
	5.3	Hose clamp Ø 7.5 mm		20 pcs.	173.0007
	5.31	Nut G 1/4" for SRT 9 V / SRT 17 V / SRT 17 FXV		10 pcs.	500.0082
		Male nipple G 1/4" for SRT 9 V / SRT 17 V / SRT 17 FXV		10 pcs.	500.0247
	5.4	Hose clamp Ø 9.0 mm for SRT 26 V		20 pcs.	173.0001
	5.41	Nut G 1/4" for SRT 26 V		10 pcs.	500.0082
		Male nipple for G 1/4" für SRT 26 V		10 pcs.	500.0087
	5.5	BCC-1 complete for SRT 9V / SRT 17 V / SRT 17 FXV consisting of:			511.0146
		Sleeve			500.0301
		Cable support			511.0129
		Screw			511.0130
		BCC-2 complete for SRT 17 V / SRT 17 FXV consisting of:			511.0148
	Sleeve			500.0300	
	Cable support			511.0128	
	Screw			511.0137	
5.52	BCC-2 complete for SRT 26 V consisting of:			511.0150	
	Sleeve			500.0300	
	Cable support			511.0128	
	Screw			511.0132	

The positions indicating "per meter" are available in commercial lengths.

Order form SRT-9 V / SRT-17 V / SRT-17 FXV / SRT-26 V

It is preferable to copy and fax this page, which is faster and you will be able to use the order form more often.

Important! All SRT variant torches are supplied without wear parts which can be ordered as a separate component kit.

All marketable tungsten electrodes acc. to DIN/EN 26 848 are on stock. Please ask for our price list.

Order:

No.	Description	ID-no.
	SRT 9 V Welding torch, 4.00 m long, Valve / BCC-1 / BHC-01	706.5057
	SRT 9 V Welding torch, 8.00 m long, Valve / BCC-1 / BHC-01	706.5058
	SRT 17 V Welding torch, 4.00 m long, Valve / BCC-1 / BHC-01	706.1057
	SRT 17 V Welding torch, 8.00 m long, Valve / BCC-1 / BHC-01	706.1058
	SRT 17 V Welding torch, 4.00 m long, Valve / BCC-2 / BHC-01	706.1037
	SRT 17 V Welding torch, 8.00 m long, Valve / BCC-2 / BHC-01	706.1038
	SRT 17 FXV Welding torch, 4.00 m long, Valve / BCC-1 / BHC-01	706.1157
	SRT 17 FXV Welding torch, 8.00 m long, Valve / BCC-1 / BHC-01	706.1158
	SRT 17 FXV Welding torch, 4.00 m long, Valve / BCC-2 / BHC-01	706.1137
	SRT 17 FXV Welding torch, 8.00 m long, Valve / BCC-2 / BHC-01	706.1138
	SRT 26 V Welding torch, 4.00 m long, Valve / BCC-2 / BHC-01	706.4037
	SRT 26 V Welding torch, 8.00 m long, Valve / BCC-2 / BHC-01	706.4038
	Component kit SRT 9 V WE-Ø 1,6	712.3151
	Component kit SRT 9 V WE-Ø 2,4	712.3152
	Component kit SRT 9 V WE-Ø 3,2	712.3153
	Component kit SRT 17 V, SRT 17 FXV, SRT 26 V WE-Ø 1,6	712.2151
	Component kit SRT 17 V, SRT 17 FXV, SRT 26 V WE-Ø 2,4	712.2152
	Component kit SRT 17 V, SRT 17 FXV, SRT 26 V WE-Ø 3,2	712.2153
	Component kit SRT 17 V, SRT 17 FXV, SRT 26 V WE-Ø 4,0	712.2154

Company : _____

Contact: _____

Road/no .: _____

Dept : _____

Post code/town: _____

Date: _____

Phone: _____

Signature : _____

Fax: _____

Welding & cutting brought to the point.



Alexander Binzel Schweisstechnik GmbH & Co. KG
P.O. Box 10 01 53 · D-35331 Gießen
Tel.: ++49 (0) 64 08 / 59-0
Fax: ++49 (0) 64 08 / 59-194
Internet: www.binzel-abicor.com

